

BEFORE STARTING THE INSTALLATION, refer to the specification chart below to confirm closer selection.

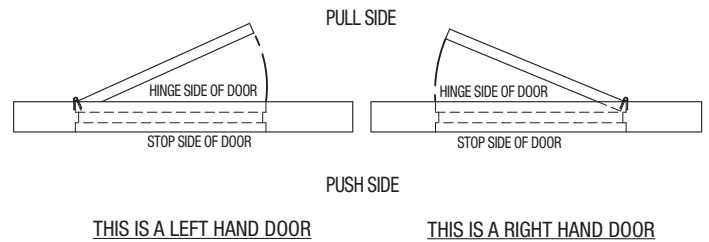
Model	UH4051/UH4052
Type	UL 3 Hr Fire Rated
Closer Size	3
Maximum Door Width	38"
Maximum Door Weight	125 lbs
Maximum opening angle for closer	180°

PREPARATION FOR FASTENERS

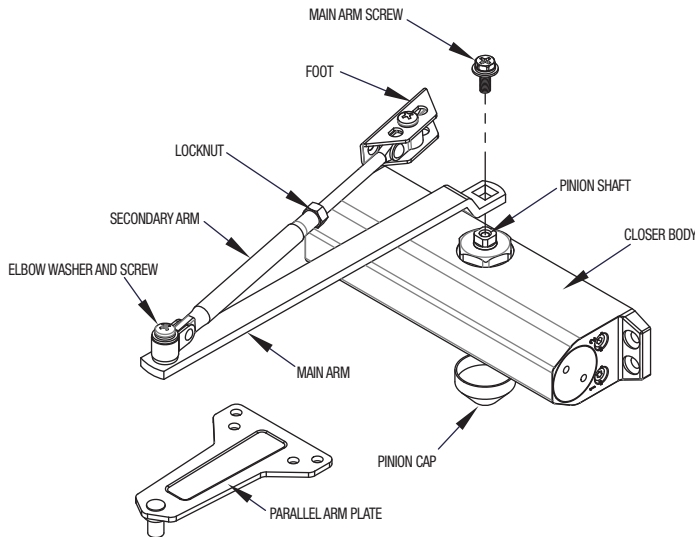
FASTENERS	DOOR OR FRAME	RECOMMENDED DRILL SIZES	DRILL DEPTH
Machine Screw	Hollow Metal or Aluminum	#7 (.201") & 1/4"-20 Tap	*Through One Side
Sheet Metal Screw	Wood Cored	1/8"	*1-1/4"
	Hardwood	3/16"	
	Hollow Metal	3/16"	

*Measure door thickness before drilling pilot holes to prevent drilling through opposite side

DETERMINE HAND OF DOOR



COMPONENTS

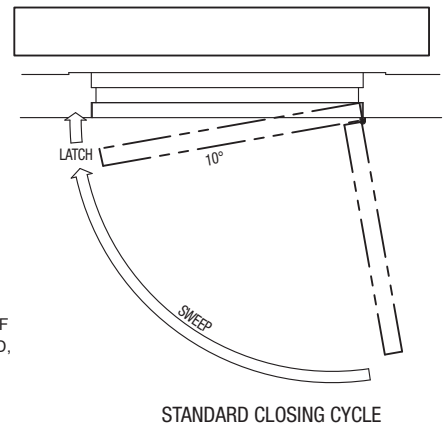


CLOSING SPEED CONTROL

CAUTION: DO NOT BACK VALVES OUT OF CLOSER OR LEAK WILL RESULT.

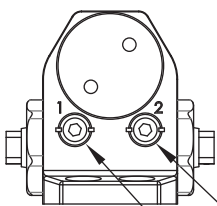
ATTENTION:

ADJUST CLOSING SPEED TIME TO BETWEEN 4 & 6 SECONDS FROM 90°. USE OF THE DOOR BY HANDICAPPED, ELDERLY OR SMALL CHILDREN MAY REQUIRE LONGER CLOSING TIMES.



ADJUSTING SWEEP SPEED & LATCHING SPEED

TURN SPEED REGULATING VALVE CLOCKWISE TO SLOW DOWN OR COUNTER CLOCKWISE TO SPEED UP DOOR MOVEMENT.

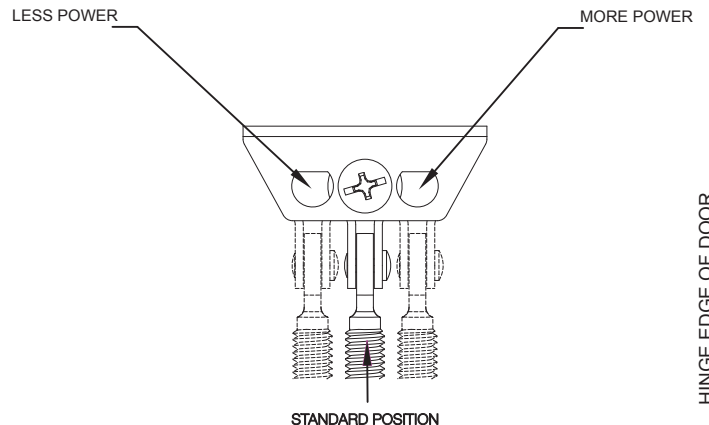


THIS VALVE CONTROLS LATCHING SPEED: (SLOWER- TURN CLOCKWISE) (FASTER - TURN COUNTER CLOCKWISE)

THIS VALVE CONTROLS SWEEP SPEED: (SLOWER- TURN CLOCKWISE) (FASTER - TURN COUNTER CLOCKWISE)

ADJUSTING FOOT FOR CLOSING POWER

MOVE FOOT PIVOT TO HOLE AS ILLUSTRATED

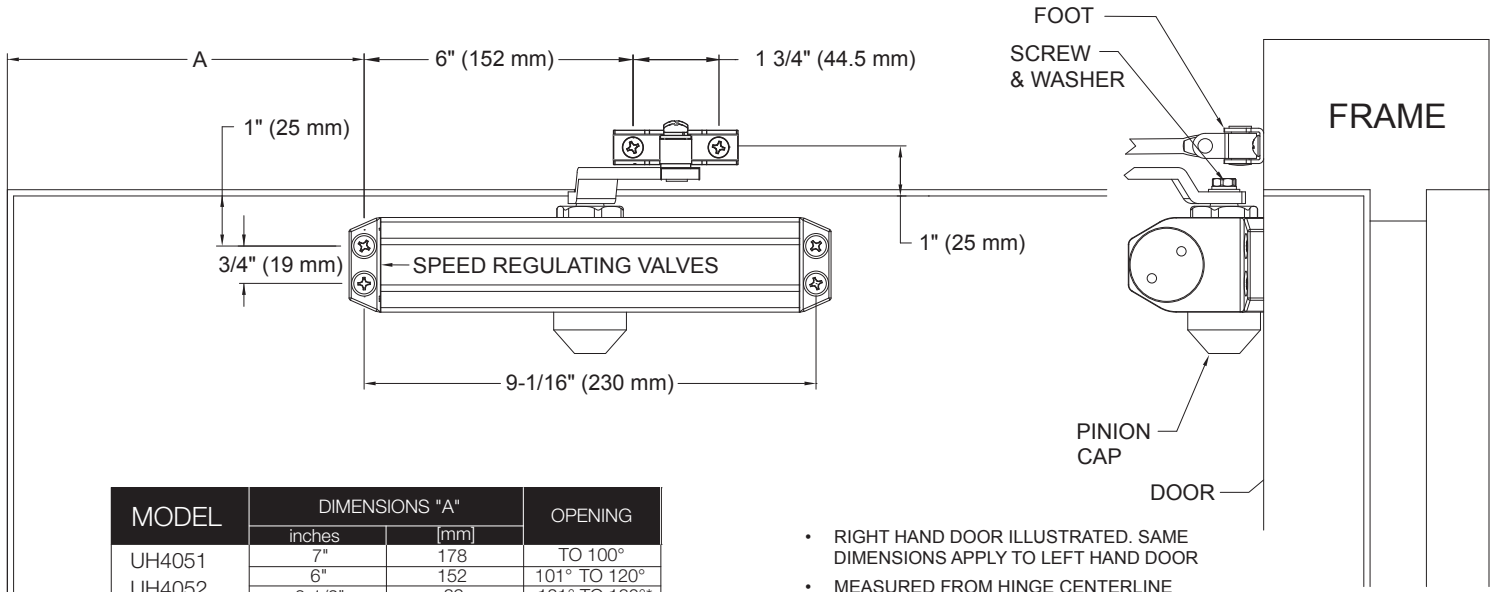


HINGE EDGE OF DOOR

REGULAR ARM INSTALLATION

999-30003

MODEL UH4051 or UH4052 INSTALLATION INSTRUCTIONS

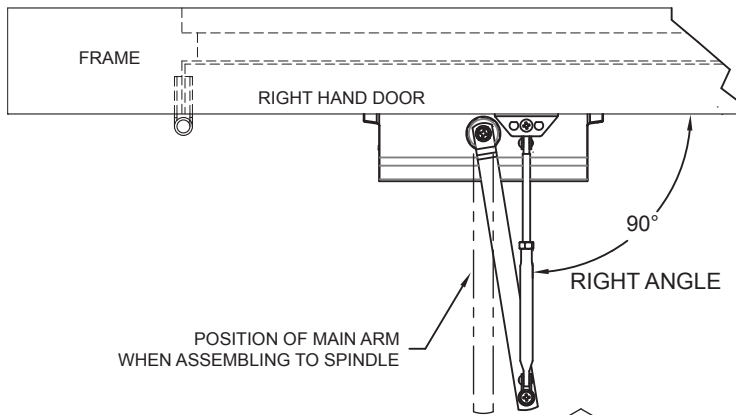


MODEL	DIMENSIONS "A"		OPENING
	inches	[mm]	
UH4051	7"	178	TO 100°
UH4052	6"	152	101° TO 120°
	3-1/2"	89	121° TO 180°*

*DOOR/WALL/HARDWARE/JAMB CONDITIONS PERMITTING

- RIGHT HAND DOOR ILLUSTRATED. SAME DIMENSIONS APPLY TO LEFT HAND DOOR
- MEASURED FROM HINGE CENTERLINE
- DO NOT SCALE DRAWING

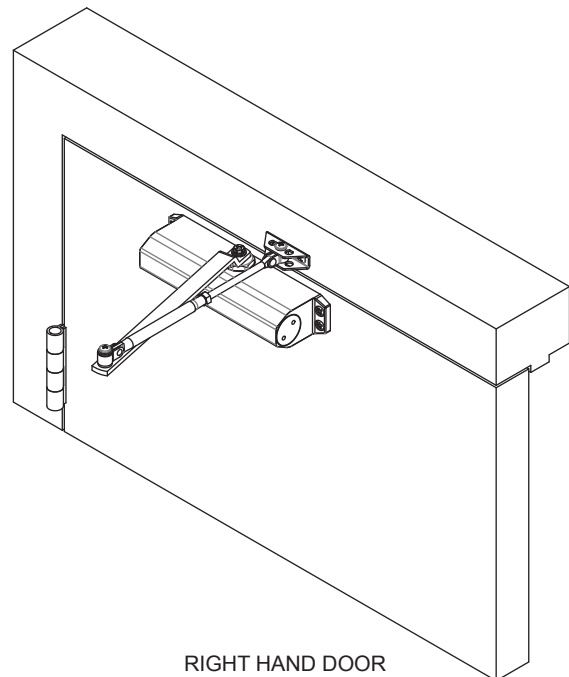
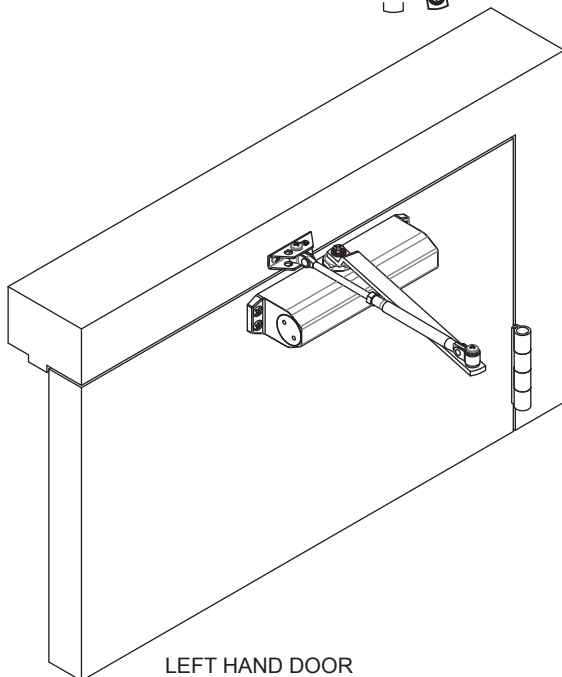
POSITION OF MAIN ARM WHEN ASSEMBLING TO PINION SHAFT



POSITION OF MAIN ARM WHEN ASSEMBLING TO SPINDLE

INSTALLATION INSTRUCTIONS

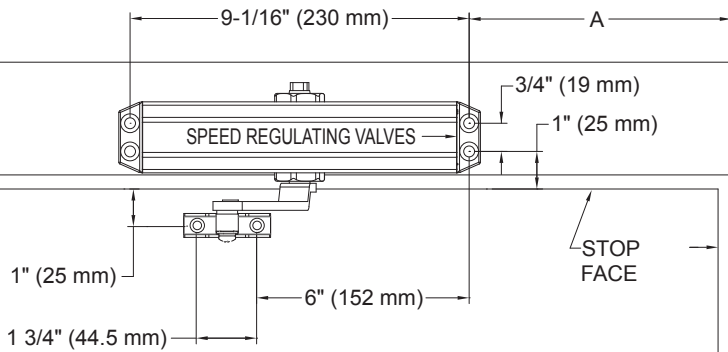
1. SELECT DEGREE OF OPENING. USE DIMENSIONS SHOWN IN CHART AND ILLUSTRATIONS ABOVE TO MARK LOCATION OF ATTACHING SCREWS ON THE DOOR AND FRAME. PREPARE HOLES (See Preparation For Fasteners chart, Page 1).
2. ATTACH CLOSER TO THE DOOR WITH THE SPEED REGULATING VALVES FACING THE HINGE SIDE OF DOOR.
3. DISASSEMBLE FOREARM FROM MAIN ARM BY REMOVING ELBOW WASHERS AND SCREW.
4. ASSEMBLE MAIN ARM TO CLOSER USING MAIN ARM SCREW AND LARGE FLAT WASHER.
5. ATTACH THE FOOT OF THE FOREARM TO THE FRAME.
6. ADJUST THE LENGTH OF THE FOREARM TO POSITION THE FOREARM AT A RIGHT ANGLE TO THE FRAME TO ENSURE PROPER LATCHING, AND ATTACH FOREARM TO MAIN ARM USING ELBOW WASHERS AND SCREW.
7. SNAP PINION CAP OVER THE PINION AT THE BOTTOM OF THE CLOSER.
8. ADJUST CLOSER (refer to ADJUSTING SWEEP SPEED & LATCHING SPEED on page 1)



TOP JAMB INSTALLATION

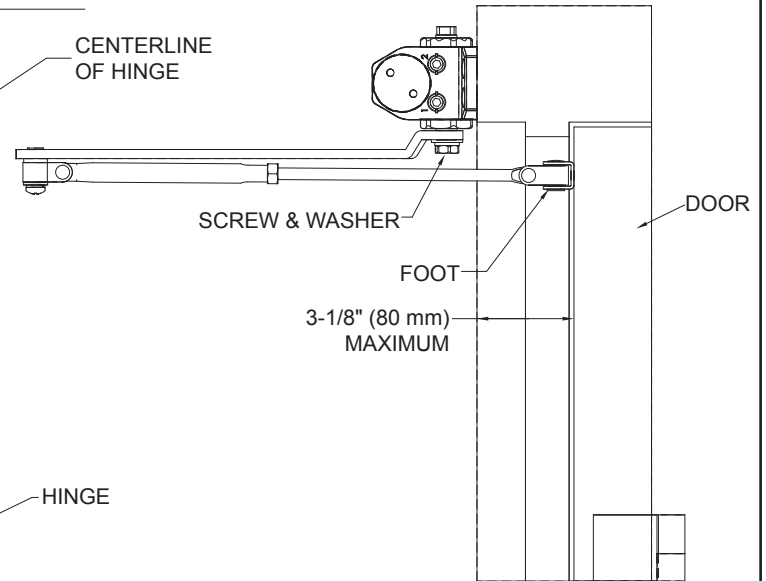
MODEL UH4051 or UH4052 INSTALLATION INSTRUCTIONS

999-30003

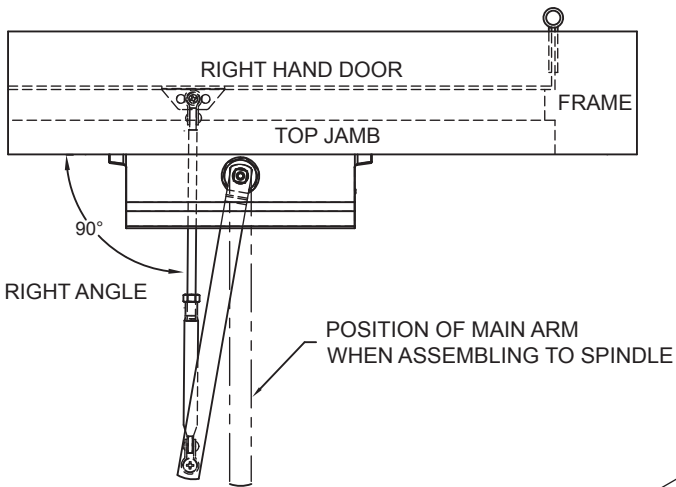


MODEL	DIMENSIONS "A"		OPENING
	inches	[mm]	
UH4051	7"	178	TO 100°
UH4052	6"	152	101° TO 120°
	3-1/2"	89	121° TO 180°*

*DOOR/WALL/HARDWARE/JAMB CONDITIONS PERMITTING

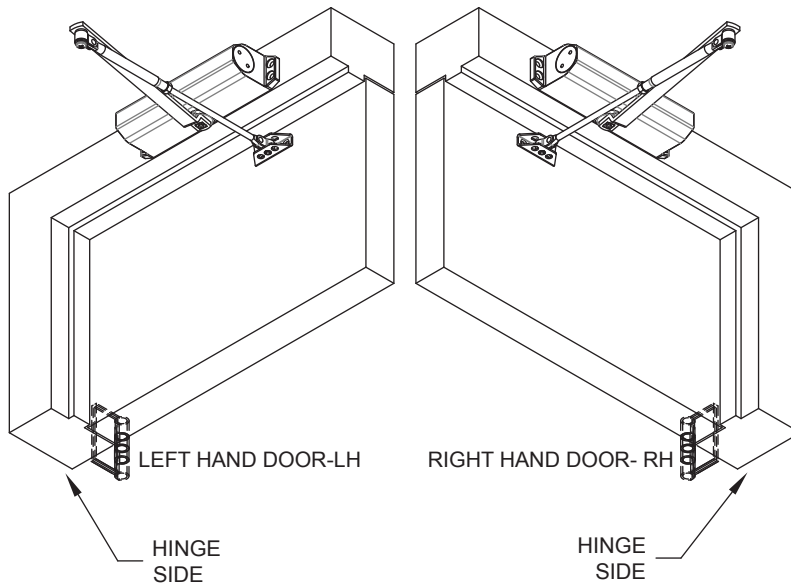


POSITION OF MAIN ARM WHEN ASSEMBLING TO THE PINION SHAFT



INSTALLATION INSTRUCTIONS

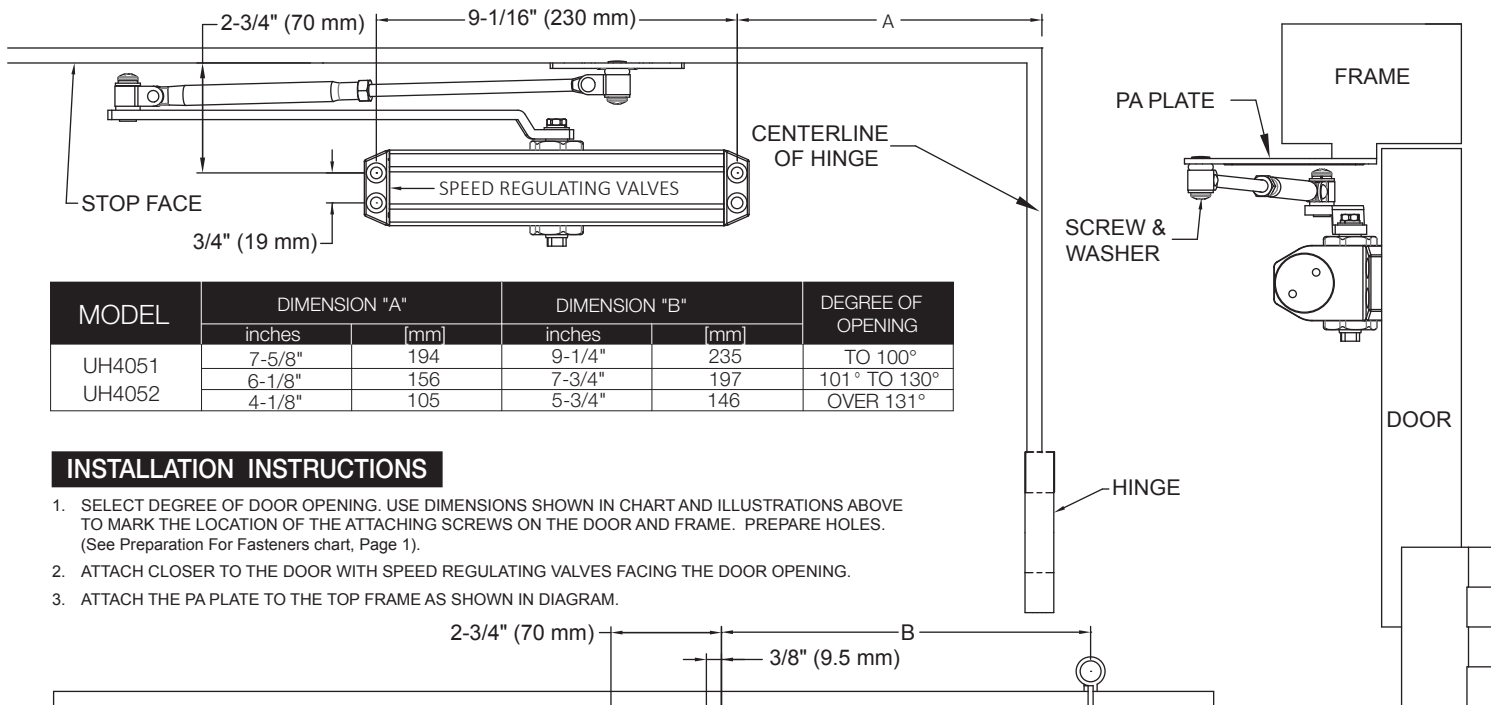
1. SELECT DEGREE OF OPENING. USE DIMENSIONS SHOWN IN CHART AND ILLUSTRATIONS ABOVE TO MARK LOCATION OF ATTACHING SCREWS ON THE DOOR AND FRAME. PREPARE HOLES (See Preparation For Fasteners chart, Page 1).
2. ATTACH CLOSER TO THE FRAME WITH THE SPEED REGULATING VALVES FACING THE HINGE SIDE OF DOOR.
3. DISASSEMBLE FOREARM FROM MAIN ARM BY REMOVING ELBOW WASHERS AND SCREW.
4. ASSEMBLE MAIN ARM TO CLOSER USING MAIN ARM SCREW AND LARGE FLAT WASHER.
5. ATTACH THE FOOT OF THE FOREARM TO THE DOOR.
6. ADJUST THE LENGTH OF THE FOREARM TO POSITION THE FOREARM AT A RIGHT ANGLE TO THE DOOR TO ENSURE PROPER LATCHING, AND ATTACH FOREARM TO MAIN ARM USING ELBOW WASHERS AND SCREW.
7. SNAP PINION CAP OVER THE PINION AT THE TOP OF THE CLOSER.
8. ADJUST CLOSER (refer to ADJUSTING SWEEP SPEED & LATCHING SPEED on page 1)



PARALLEL ARM INSTALLATION

999-30003

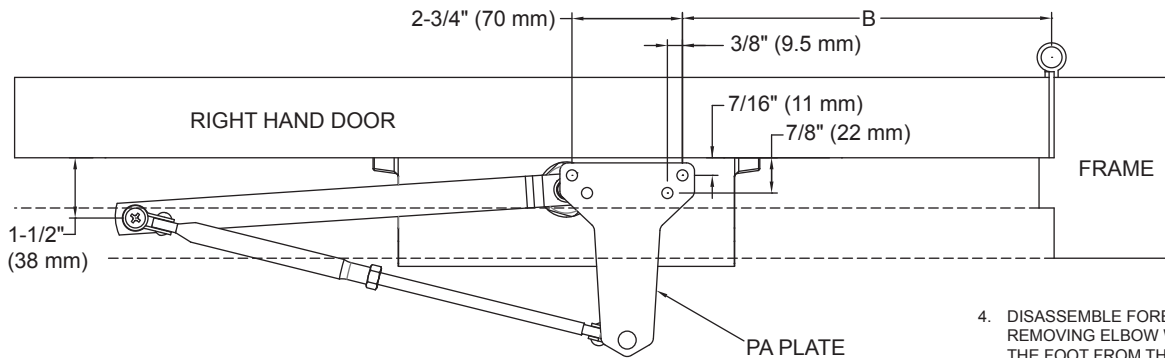
MODEL UH4051 or UH4052 INSTALLATION INSTRUCTIONS



MODEL	DIMENSION "A"		DIMENSION "B"		DEGREE OF OPENING
	inches	[mm]	inches	[mm]	
UH4051	7-5/8"	194	9-1/4"	235	TO 100°
UH4052	6-1/8"	156	7-3/4"	197	101° TO 130°
	4-1/8"	105	5-3/4"	146	OVER 131°

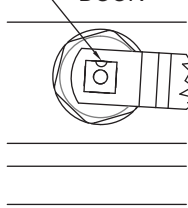
INSTALLATION INSTRUCTIONS

1. SELECT DEGREE OF DOOR OPENING. USE DIMENSIONS SHOWN IN CHART AND ILLUSTRATIONS ABOVE TO MARK THE LOCATION OF THE ATTACHING SCREWS ON THE DOOR AND FRAME. PREPARE HOLES. (See Preparation For Fasteners chart, Page 1).
2. ATTACH CLOSER TO THE DOOR WITH SPEED REGULATING VALVES FACING THE DOOR OPENING.
3. ATTACH THE PA PLATE TO THE TOP FRAME AS SHOWN IN DIAGRAM.



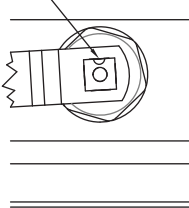
4. DISASSEMBLE FOREARM FROM MAIN ARM BY REMOVING ELBOW WASHERS AND SCREW. REMOVE THE FOOT FROM THE FOREARM AND DISCARD. **NOTE:** DO NOT DISCARD SCREW AND WASHERS.
5. BEFORE INSTALLING THE MAIN ARM ON THE PINION SHAFT, ROTATE THE PINION WITH A WRENCH, 90° TOWARDS THE HINGE EDGE OF THE DOOR. PLACE MAIN ARM ON THE PINION, SO THAT THE DIMPLE ON THE PINION IS TOWARDS THE DOOR. FASTEN MAIN ARM TO CLOSER WITH MAIN ARM SCREW WITH LOCK WASHER, AND THE LARGE FLAT WASHER.
6. FASTEN FOREARM WHERE THE FOOT WAS REMOVED TO THE PA PLATE, USING THE SCREW THAT WAS REMOVED FROM THE FOOT IN STEP 3 AND PA SHOE WASHER INCLUDED IN SCREW PACK.
7. WITH THE DOOR CLOSED, ADJUST THE FOREARM LENGTH TO SET ARM ELBOW ABOUT 1-1/2" [38mm] FROM THE DOOR WHEN CONNECTED TO THE MAIN ARM. USE THE ELBOW WASHER AND SCREW PROVIDED TO SECURE THE PIVOT CONNECTION. TIGHTEN LOCKNUT.
8. SNAP THE PINION CAP OVER THE PINION AT THE BOTTOM OF THE CLOSER.
9. ADJUST CLOSER (refer to ADJUSTING SWEEP SPEED & LATCHING SPEED on page 1)

PINION DIMPLE DOOR

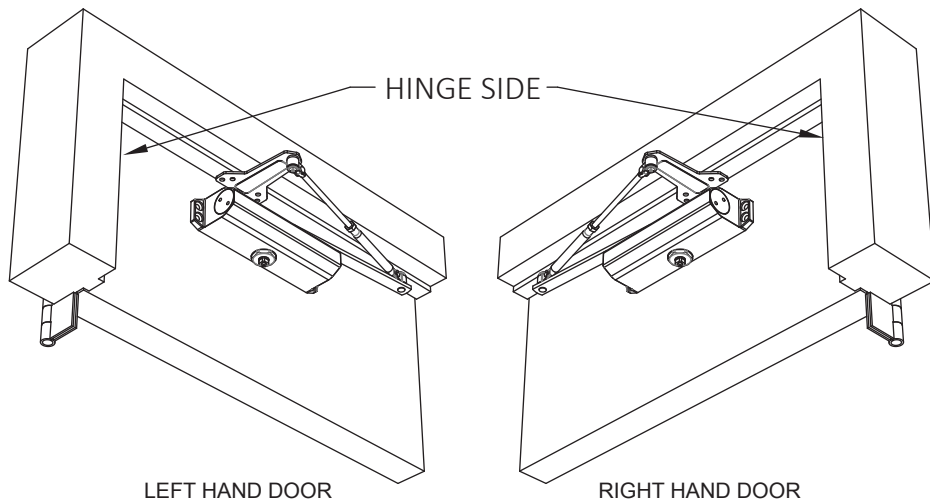


FOR LEFT HAND DOOR

PINION DIMPLE DOOR



FOR RIGHT HAND DOOR



FOR CUSTOMER CARE CALL TOLL FREE
800-562-5625 OR info@hamptonproducts.com

HAMPTON

50 Icon, Foothill Ranch, CA 92610-3000 USA
www.hamptonproducts.com • 1-800-562-5625
©2020 Hampton Products International Corp.
999-30003_UH4051-52_Eng REVC 12/20