

## POWER ADJUSTMENT

BEFORE INSTALLATION, ADJUST THE SPRING POWER AS SHOWN ON CHARTS BELOW. DO NOT EXCEED THE MAXIMUM TURN. THE SPRING POWER HAS BEEN PRESET TO "0" TURNS FROM FACTORY.

EXTERIOR (and VESTIBULE) DOOR WIDTH MINIMUM DOOR WIDTH (24")

INTERIOR DOOR WIDTH MINIMUM DOOR WIDTH (24")

	24" (610mm)	30" (762mm)	36" (914mm)	42" (1067mm)
REGULAR ARM & TOP JAMB	SIZE 3	SIZE 4	SIZE 5	
PARALLEL ARM	SIZE 3	SIZE 4		

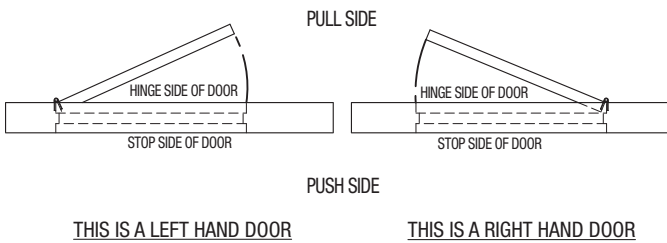
	24" (610mm)	30" (762mm)	34" (865mm)	38" (965mm)	48" (1219mm)	54" (1372mm)
REGULAR ARM & TOP JAMB	SIZE 1	SIZE 2	SIZE 3	SIZE 4	SIZE 5	
PARALLEL ARM	SIZE 1	SIZE 2	SIZE 3	SIZE 4		

## PREPARATION FOR FASTENERS

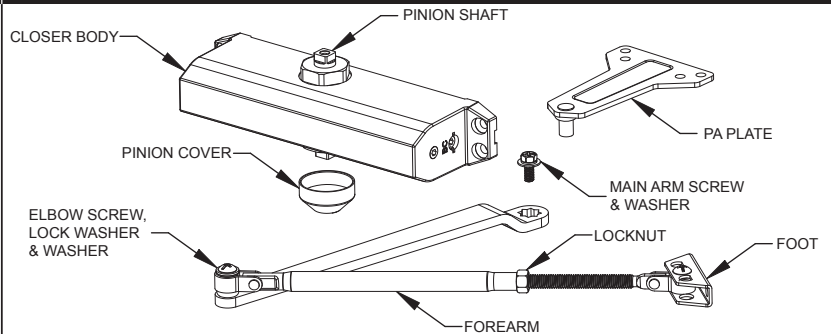
FASTENERS	DOOR OR FRAME	RECOMMENDED DRILL SIZES	DRILL DEPTH
Machine Screw	Hollow Metal or Aluminum	#7 (.201") & 1/4-20 Tap	*Through One Side
	Wood Cored	1/8"	*1-1/4"
Sheet Metal Screw	Hardwood	3/16"	
	Hollow Metal	3/16"	

\* Measure door thickness before drilling pilot holes to prevent drilling through opposite side

## DETERMINE HAND OF DOOR



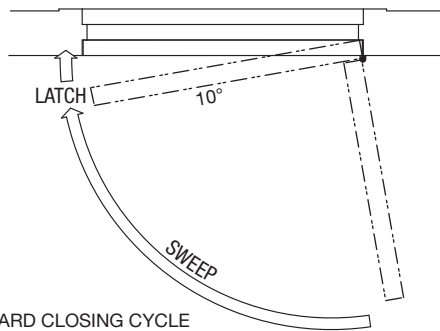
## COMPONENTS



## CLOSING SPEED CONTROL

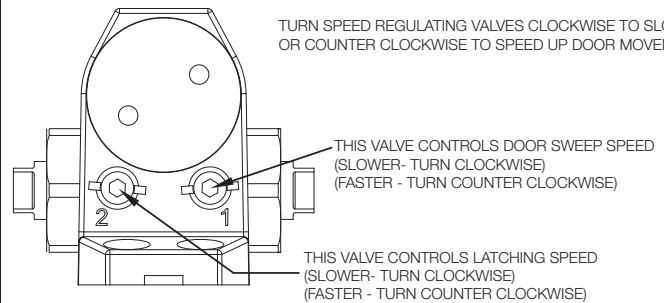
CAUTION: DO NOT BACK VALVES OUT OF CLOSER OR LEAK WILL RESULT.

**ATTENTION:**  
ADJUST CLOSING SPEED TIME TO BETWEEN 4 & 6 SECONDS FROM 90°. DOORS USED BY: HANDICAPPED, ELDERLY OR SMALL CHILDREN MAY REQUIRE LONGER CLOSING TIMES.

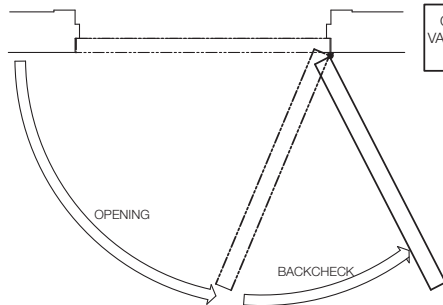


## REGULATING SWEEP SPEED & LATCHING SPEED

TURN SPEED REGULATING VALVES CLOCKWISE TO SLOW DOWN OR COUNTER CLOCKWISE TO SPEED UP DOOR MOVEMENT.



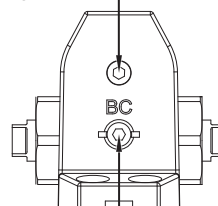
## POWER AND BACKCHECK ADJUSTMENT



CAUTION: DO NOT BACK VALVES OUT OF CLOSER OR A LEAK WILL RESULT.

**ATTENTION:**  
BACKCHECK ("BC") VALVE CONTROLS THE HYDRAULIC RESISTANCE TO DOOR OPENING IN BACKCHECK RANGE. NEVER CLOSE THIS VALVE COMPLETELY. IT IS NOT TO PROVIDE A POSITIVE STOP.

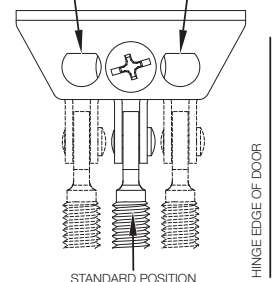
POWER ADJUSTMENT SCREW. TURN CLOCKWISE TO INCREASE OR COUNTER CLOCKWISE TO DECREASE.



TURN BC REGULATING VALVE CLOCKWISE TO INCREASE OR COUNTER CLOCKWISE TO DECREASE. **NEVER CLOSE THIS VALVE COMPLETELY.**

## FOOT POWER ADJUSTMENT

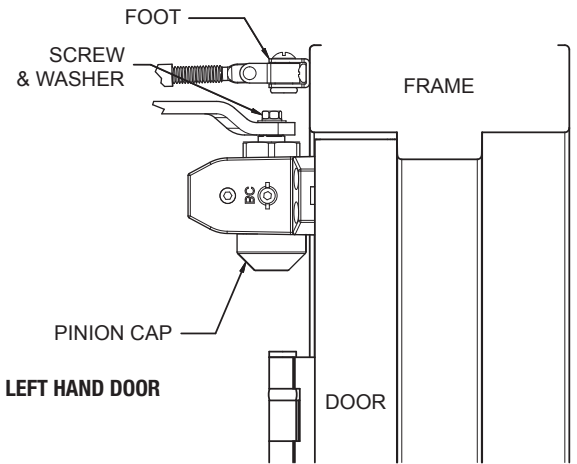
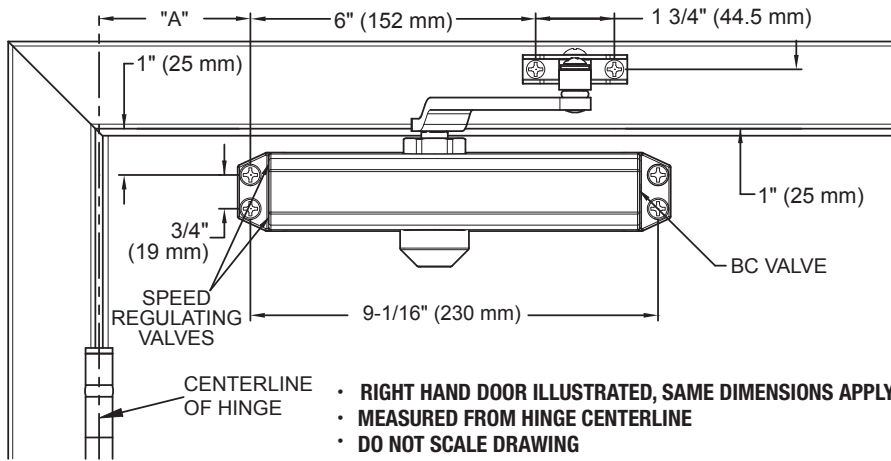
MOVE FOOT PIVOT TO HOLE AS ILLUSTRATED  
LESS POWER      MORE POWER



# REGULAR ARM INSTALLATION

999-30013

## MODEL UH4031 or UH4032 INSTALLATION INSTRUCTIONS



- RIGHT HAND DOOR ILLUSTRATED, SAME DIMENSIONS APPLY TO LEFT HAND DOOR
- MEASURED FROM HINGE CENTERLINE
- DO NOT SCALE DRAWING

DIMENSION "A"		OPENING ANGLE	DOOR WIDTH		CLOSER SIZE	CW TURNS OF POWER ADJUSTMENT SCREW
INCHES	mm		INTERIOR	EXTERIOR		
7	178	TO 100°	UP TO 54"	UP TO 42"	5	12
					4	6
					3	0
6	152	TO 120°	UP TO 48"	UP TO 36"	4	12
					3	6
					2	0
3-1/2	89	TO 180°	UP TO 38"	UP TO 30"	3	12
					2	6
					♿	0

\*DOOR/WALL/HARDWARE/JAMB CONDITIONS PERMITTING

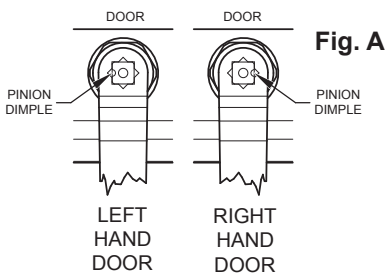
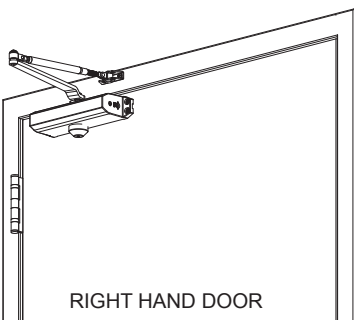
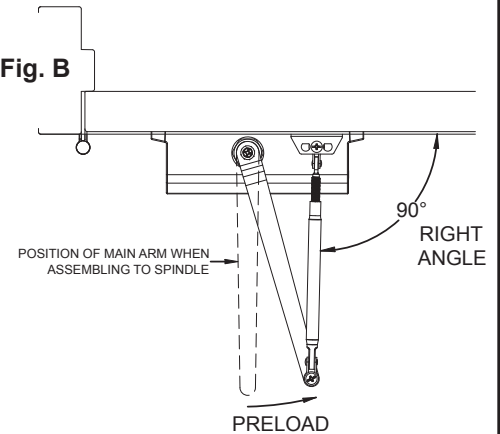


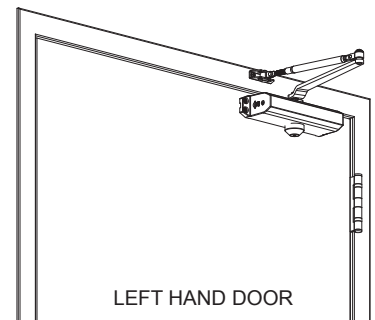
Fig. A

1. SELECT DEGREE OF DOOR OPENING. USE DIMENSIONS SHOWN IN CHART AND ILLUSTRATIONS ABOVE TO MARK LOCATION OF ATTACHING SCREWS ON THE DOOR AND FRAME. PREPARE HOLES (See Preparation For Fasteners chart page 1).
2. DISASSEMBLE FOREARM FROM MAIN ARM BY REMOVING ELBOW WASHERS AND SCREW.
3. MOUNT MAIN ARM ONTO CLOSER PINION SHAFT, ALIGNING PINION DIMPLE (see Fig. A.). SECURE WITH MAIN ARM SCREW AND WASHER.
4. ATTACH CLOSER TO THE DOOR WITH THE SPEED REGULATING VALVES FACING THE HINGE SIDE OF DOOR.
5. ATTACH THE FOOT OF THE FOREARM TO THE FRAME.
6. ADJUST THE LENGTH OF THE FOREARM TO POSITION THE FOREARM AT A RIGHT ANGLE TO THE FRAME TO ENSURE PROPER PRELOAD (see Fig. B).
7. REATTACH MAIN ARM AND FOREARM USING ELBOW SCREW AND WASHERS. TIGHTEN LOCKNUT ON FOREARM.
8. SNAP PINION CAP ONTO THE PINION AT THE BOTTOM OF THE CLOSER.
9. ADJUST CLOSER (refer to Speed and Power Adjustment charts on page 1).

Fig. B



RIGHT HAND DOOR

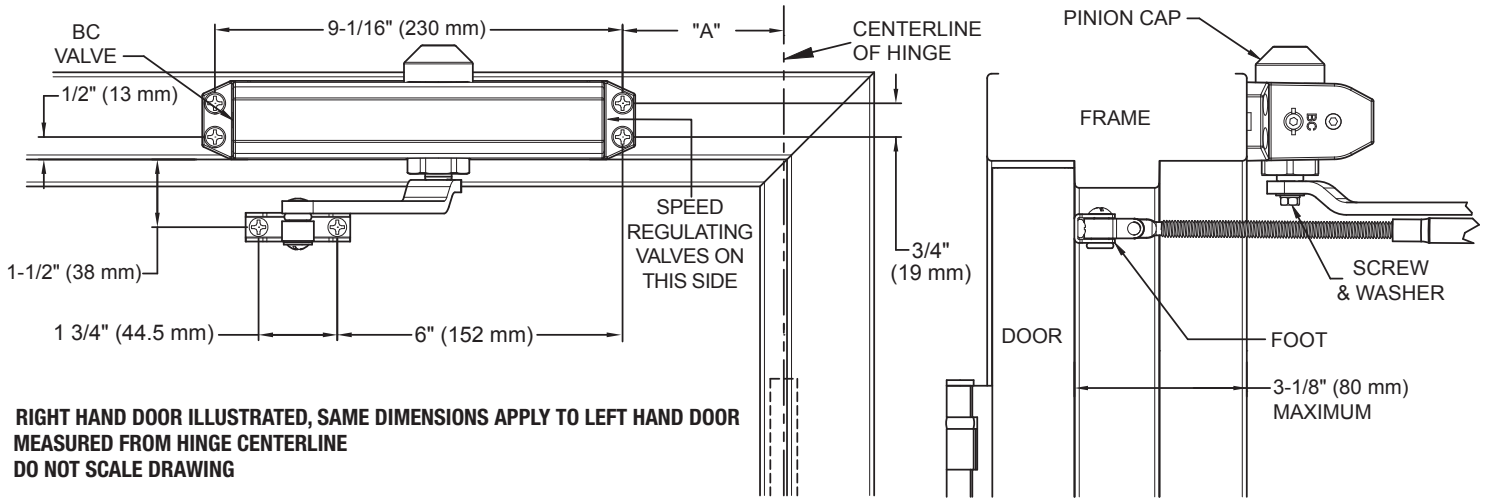


LEFT HAND DOOR

# TOP JAMB INSTALLATION

## MODEL UH4031 or UH4032 INSTALLATION INSTRUCTIONS

999-30013

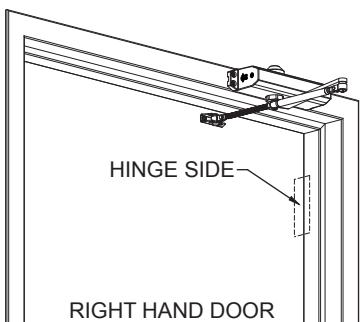
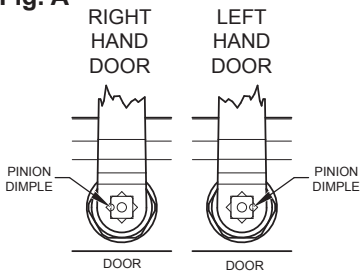


- RIGHT HAND DOOR ILLUSTRATED, SAME DIMENSIONS APPLY TO LEFT HAND DOOR
- MEASURED FROM HINGE CENTERLINE
- DO NOT SCALE DRAWING

DIMENSION "A"		OPENING ANGLE	DOOR WIDTH		CLOSER SIZE	CW TURNS OF POWER ADJUSTMENT SCREW
INCHES	mm		INTERIOR	EXTERIOR		
7	178	TO 100°	UP TO 54"	UP TO 42"	5	12
					4	6
					3	0
6	152	TO 120°	UP TO 48"	UP TO 36"	4	12
					3	6
					2	0
3-1/2	89	TO 180°	UP TO 38"	UP TO 30"	3	12
					2	6
					♿	0

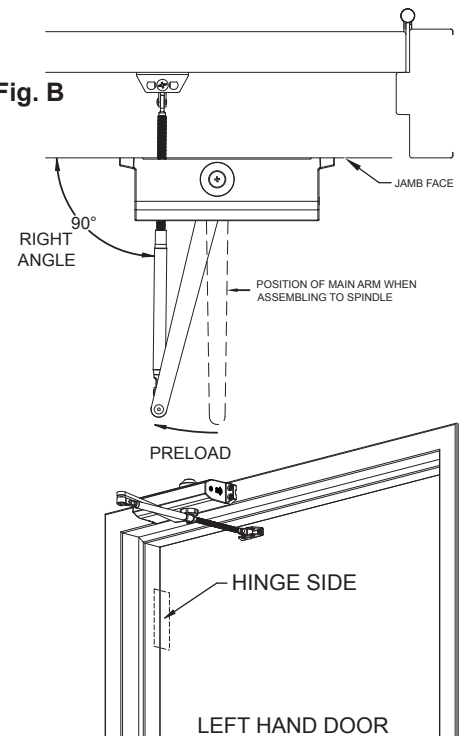
\*DOOR/WALL/HARDWARE/JAMB CONDITIONS PERMITTING

Fig. A



1. SELECT DEGREE OF DOOR OPENING. USE DIMENSIONS SHOWN IN CHART AND ILLUSTRATIONS ABOVE TO MARK LOCATION OF ATTACHING SCREWS ON THE DOOR AND FRAME. PREPARE HOLES (See Preparation For Fasteners chart page 1).
2. ATTACH CLOSER TO THE FRAME WITH SPEED REGULATING VALVES FACING THE HINGE.
3. DISASSEMBLE FOREARM FROM MAIN ARM BY REMOVING ELBOW WASHERS AND SCREW.
4. MOUNT MAIN ARM ONTO CLOSER PINION SHAFT, ALIGNING DIMPLE (see Fig. A.). SECURE WITH MAIN ARM SCREW AND WASHER.
5. ATTACH THE FOOT OF THE FOREARM TO THE DOOR.
6. ADJUST THE LENGTH OF THE FOREARM TO POSITION THE FOREARM AT A RIGHT ANGLE TO THE FRAME TO ENSURE PROPER PRELOAD (see Fig. B).
7. REATTACH MAIN ARM AND FOREARM USING ELBOW SCREW AND WASHERS. TIGHTEN LOCKNUT ON FOREARM.
8. SNAP PINION CAP ONTO THE PINION AT THE TOP OF THE CLOSER.
9. ADJUST CLOSER (refer to Speed and Power Adjustment charts on page 1).

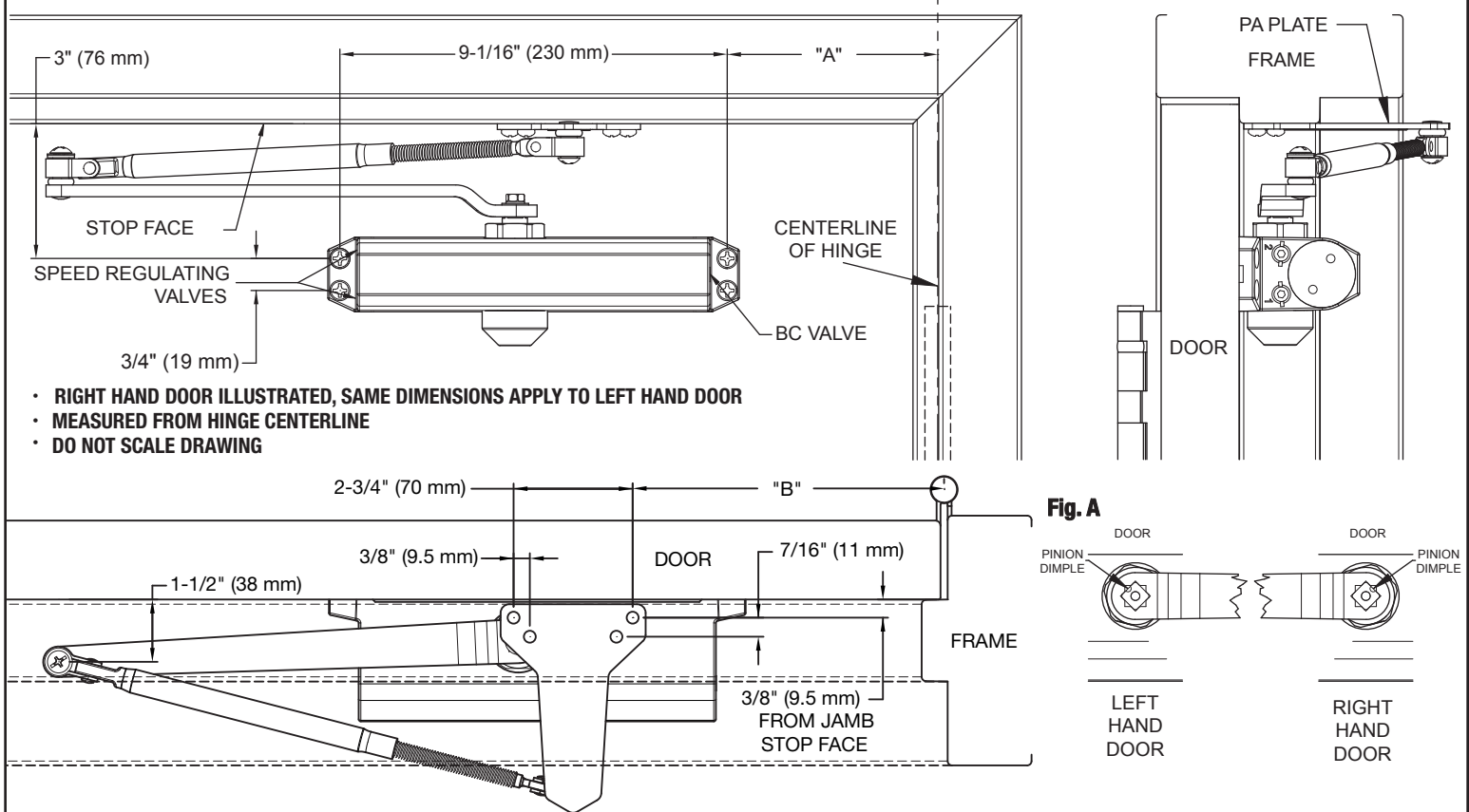
Fig. B



# PARALLEL ARM INSTALLATION

## MODEL UH4031 or UH4032 INSTALLATION INSTRUCTIONS

999-30013



DIMENSION "A"		DIMENSION "B"		OPENING ANGLE	DOOR WIDTH		CLOSER SIZE	CW TURNS OF POWER ADJUSTMENT SCREW
INCHES	mm	INCHES	mm		INTERIOR	EXTERIOR		
7-5/8	194	9-1/4	235	TO 100°	UP TO 48"	UP TO 36"	4	12
							3	6
							2	0
6-1/8	156	7-3/4	197	TO 120°	UP TO 48"	UP TO 36"	4	12
							3	6
							2	0
4-1/8	105	5-3/4	146	TO 180°	UP TO 38"	UP TO 30"	3	12
							2	6
							♿	0

\*DOOR/WALL/HARDWARE/JAMB CONDITIONS PERMITTING

1. SELECT DEGREE OF DOOR OPENING. USE DIMENSIONS SHOWN IN CHART AND ILLUSTRATIONS ABOVE TO MARK LOCATION OF ATTACHING SCREWS ON THE DOOR AND FRAME. PREPARE HOLES (See Preparation For Fasteners chart page 1).
2. DISASSEMBLE FOREARM FROM MAIN ARM BY REMOVING ELBOW WASHERS AND SCREW.
3. REMOVE THE FOOT FROM THE FOREARM AND DISCARD. Note: DO NOT DISCARD SCREW, WILL NEED IT IN STEP 7.
4. ATTACH CLOSER TO THE DOOR WITH SPEED REGULATING VALVES FACING THE DOOR OPENING.
5. ATTACH THE PA PLATE TO THE TOP FRAME AS SHOWN IN DIAGRAM.
6. BEFORE INSTALLING THE ARM ON THE PINION SHAFT, ROTATE THE PINION WITH A WRENCH 45° TOWARDS THE HINGE EDGE OF THE DOOR TO ALIGN DIMPLE IN SPINDLE TO MAIN ARM (see Fig. A). FASTEN WITH MAIN ARM SCREW AND WASHER.
7. FASTEN FOREARM TO THE PA PLATE, USING THE SCREW THAT WAS REMOVED FROM THE FOOT IN STEP 3 AND PA SHOE WASHER INCLUDED IN SCREW PACK.
8. WITH THE DOOR CLOSED, ADJUST THE FOREARM LENGTH TO SET ARM ELBOW ABOUT 1-1/2" [38mm] FROM THE DOOR WHEN CONNECTED TO THE MAIN ARM. USE WASHERS AND SCREW PROVIDED TO SECURE THE PIVOT CONNECTION. TIGHTEN LOCKNUT.
9. SNAP PINION CAP ONTO THE PINION AT THE BOTTOM OF THE CLOSER.
10. ADJUST CLOSER (refer to Speed and Power Adjustment chart on page 1).

FOR CUSTOMER CARE CALL TOLL FREE: 800-562-5625 OR [info@hamptonproducts.com](mailto:info@hamptonproducts.com)



50 Icon, Foothill Ranch, CA 92610-3000 USA  
[www.hamptonproducts.com](http://www.hamptonproducts.com) • 1-800-562-5625

©2020 Hampton Products International Corp.  
 999-30013 REV\_B\_Eng 12/20

