

Intuitive. Smart. Secure.

Array
By Hampton®



Smart Door Lock

arraybyhampton.com



Away and Need to Manage Your Home?

Control and check the status of your deadbolt from anywhere with your smartphone or tablet.



Smart Access

Easily share access with family members, and check a detailed history on the activity log to see who has accessed the lock. Create one-time user codes and schedule access for authorized users.

A Suite Array of Products – 1 App Solution

This Smart Lock is the center of a much larger suite of Array By Hampton smart products that all work together on one app to make your home smart, secure and convenient.





Compatibility

Works with both Android and iOS (Apple) smartphones and tablets or control with your voice through Google Assistants and Amazon Echo devices.



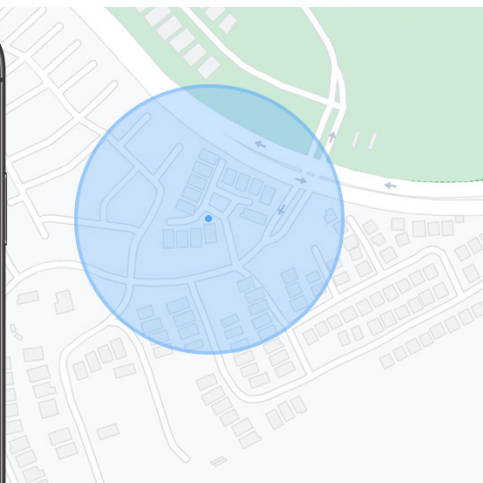
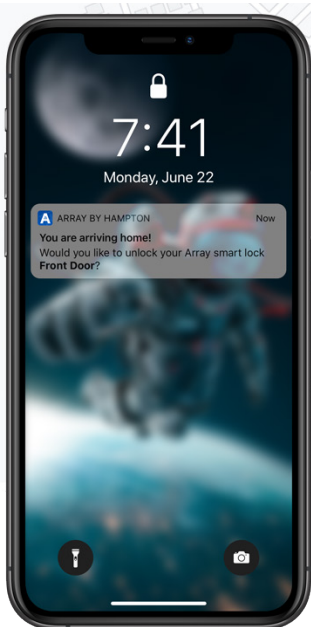
Wi-Fi Connectivity

Easily connect to your home's Wi-Fi router. No additional hub or hardware required.



Geofencing

Turn on geofencing and your lock will know when you are close to home and it can automatically unlock upon arriving or lock upon departing.



3 Ways to Lock/Unlock



Open your door with the Array By Hampton App on your phone, by sliding up the keypad cover and putting a code into the keypad or with a traditional key.



Loaded with Security Features



The Array By Hampton Smart Lock is an ANSI Grade 2 lock with a 5-pin cylinder and anti-pick features. The hidden keypad has metal buttons that resist wear and won't give away user codes.

Rechargeable Technology



The Array By Hampton Smart Lock includes a rechargeable lithium polymer battery, quick charging cradle, USB cable and plug. A fully charged battery will last between 9 months and a year (assuming 10 activations/day) and recharges in no time.



Style:
Cooper

Styling to Accent any Decor

Clean lines
and edges

Cooper
(23540)

Finishes



Satin
Nickel
-119



Tuscan
Bronze
-150



Polished
Chrome
-125



Style: Barrington

Styling to
Accent any
Decor

Scalloped
Escutcheon

Barrington
(23541)

Finishes



Satin
Nickel
-119



Tuscan
Bronze
-150



Polished
Chrome
-125



Deadbolt Specifications

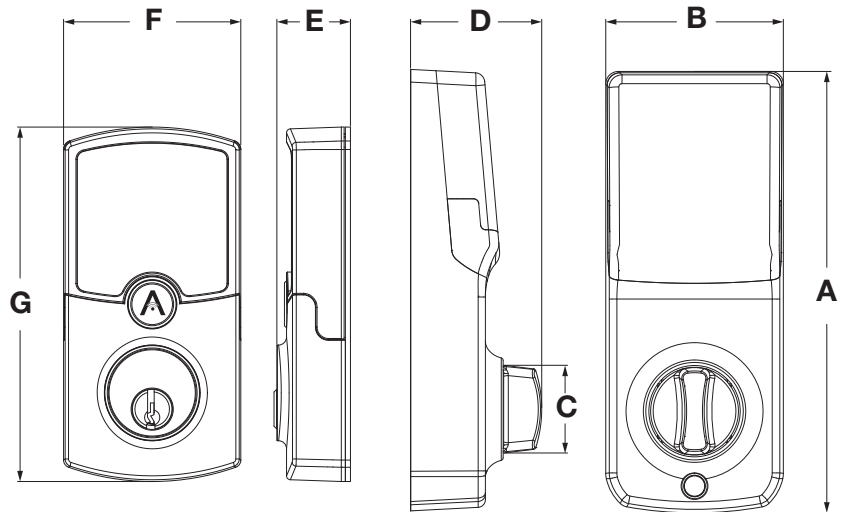
**Cooper
23540**



**Barrington
23541**



Finishes	119 Satin Nickel	125 Polished Chrome	150 Tuscan Bronze
Cooper	•	•	•
Barrington	•	•	•



Styles	A (in)	B (in)	C (in)	D (in)	E (in)	F (in)	G (in)
Cooper - 23540	6.85	2.76	1.36	2.04	1.14	2.75	5.50
Barrington - 23541	6.85	2.76	1.36	2.04	1.14	3.00	5.55

Array Deadbolt Specifications & Options

ANSI Grade: Meets Grade 2 standards

Cylinder: KW1, SC1 available, 5 pin

Keying: Keyed Different. Master key, construction key available

Latch: 6-way Adjustable 2-3/8" and 2-3/4", round, square and drive-in

Strike: 2-3/4" Square corner with 2-3/4" reinforcement plate

Door Preparation: Cross bore 2-1/8", edge bore 1", 1" x 2-1/4" latch mortise, backset 2-3/8" or 2-3/4"

Door Thickness: 1-3/8" to 1-3/4"

Faceplate: 2-1/4" round and square corner

Warranty: Lifetime mechanical and finish, 1 year electronics

Intuitive. Smart. Secure.



Array
By Hampton®



www.arraylock.com • 1-800-850-5625
©2022 Hampton Products International Corp.
84000-00018_REVC 07/22