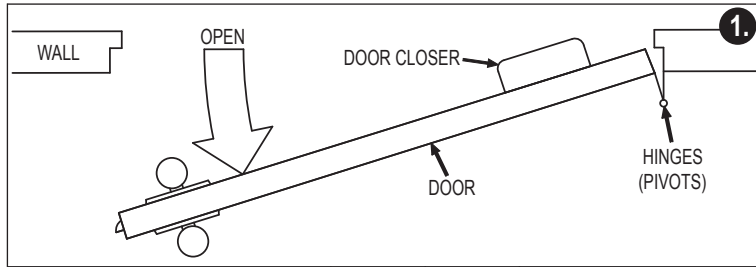


IMPORTANT: These instructions were prepared to provide you information on how to install your door closer correctly. Please read these instructions carefully before attempting to install your door closer.

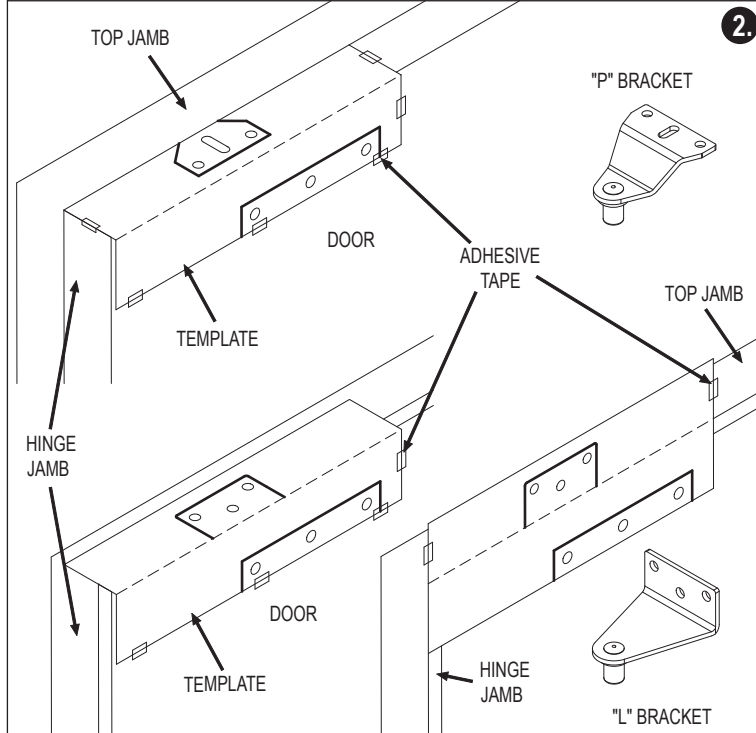
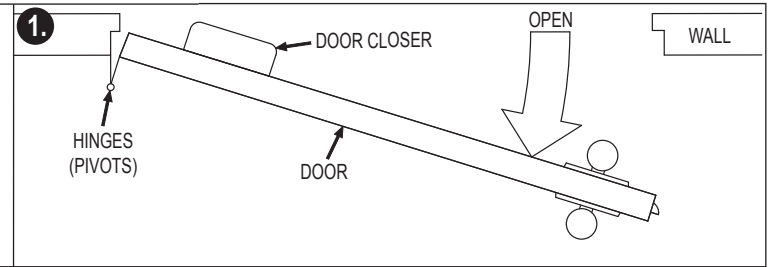
- Before proceeding:
 - a. Check all parts included in package according to parts list printed on back page.
 - b. Check tools required: Phillips screwdriver, flat head screwdriver, drill bits (refer to Preparation for Fasteners chart), hand or electric drill, adjustable wrench, adhesive tape, hammer and punch.
 - c. Pull off body cover and disconnect "P" bracket (Item 4) from the arm assembly (Item 2) by removing arm/bracket screw (Item 12) and washers (Item 13). Set them aside.

LEFT HAND INSTALLATION

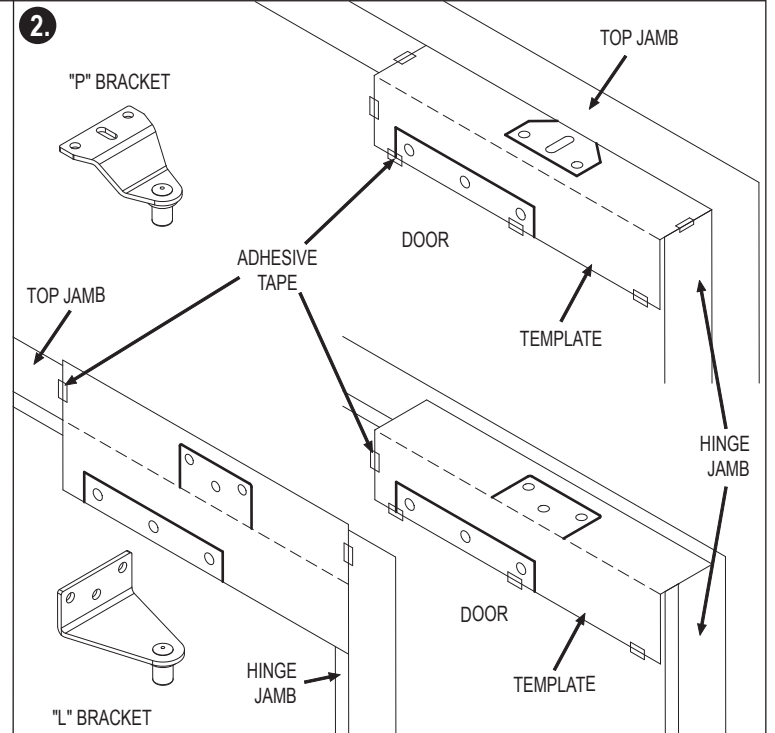
RIGHT HAND INSTALLATION



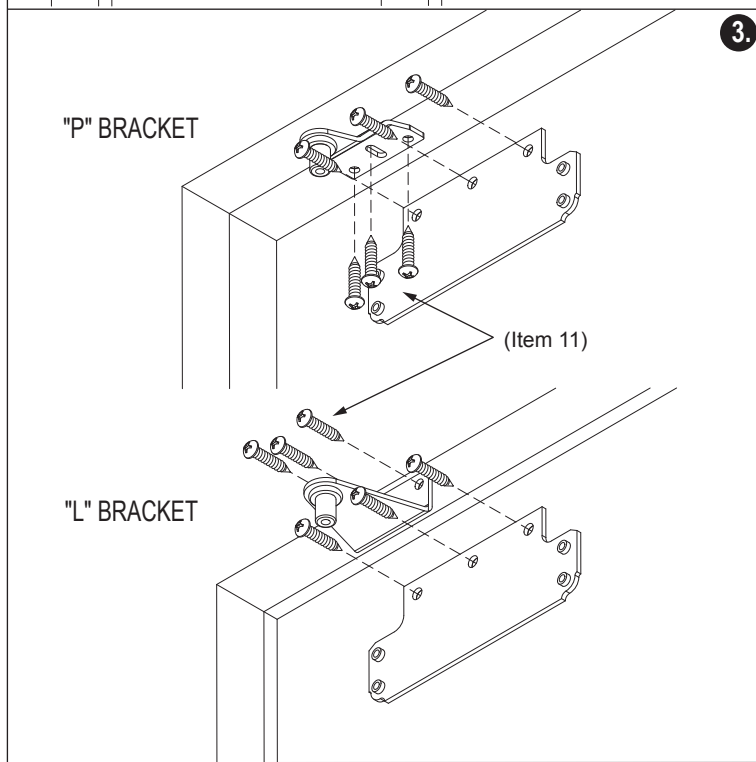
- 1. DETERMINE LOCATION OF DOOR CLOSER**
 a. Determine if you have a left or right hand door.
 b. Closer must be installed on the **PUSH SIDE**.



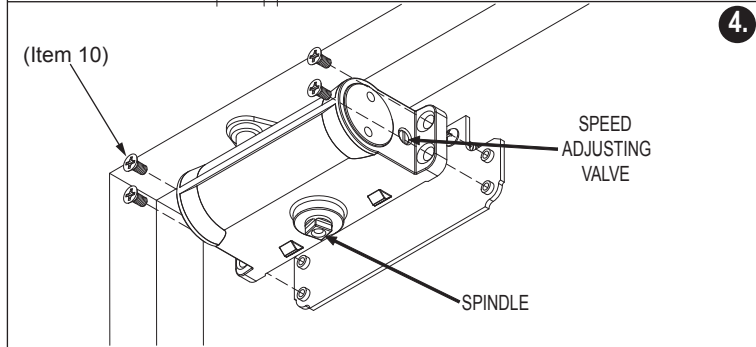
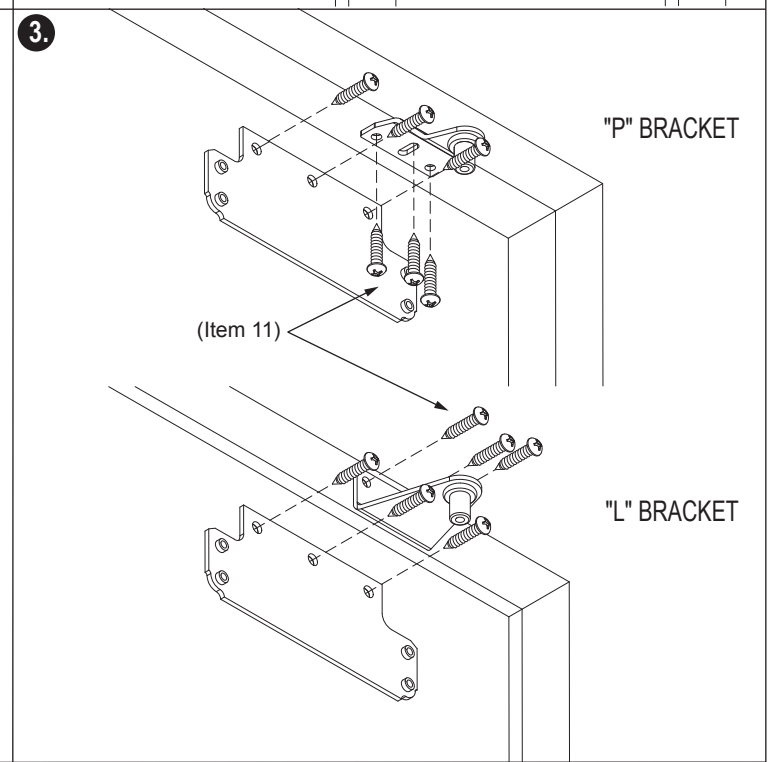
- 2. MARK DOOR FOR INSTALLATION**
 a. Choose proper template for right or left hand using either the "L" bracket or "P" bracket. Use "L" bracket only if there isn't enough room on jamb face to mount "P" bracket.
 b. Place template on **CLOSED DOOR** and top jamb as illustrated, using tape to hold the template in place.
 c. Mark and center punch the screw holes for door plate and bracket.
 d. Remove the template.



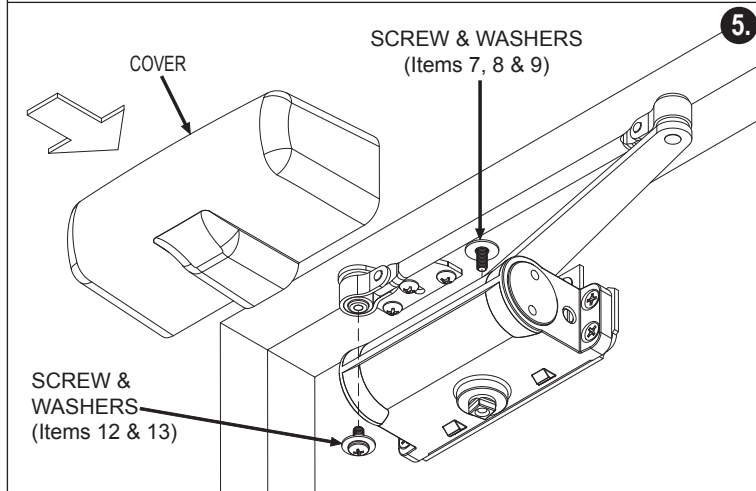
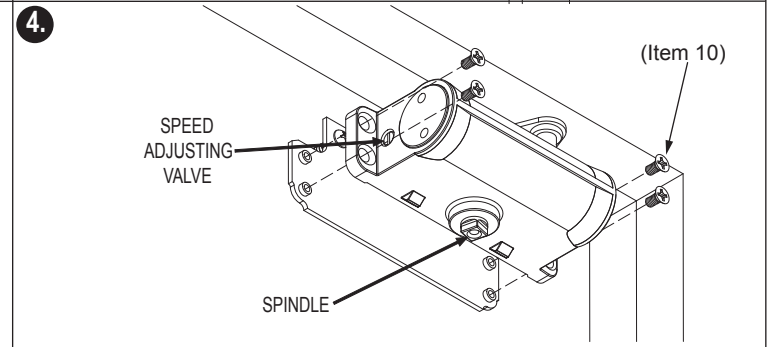
PREPARATION FOR FASTENERS		
Material (door & jamb)	Drill Size	Drill Depth
Steel & Aluminum	5/32" (.156")	1"
Hardwood	1/8" (.125")	1"
Softwood	3/32" (.094")	1"



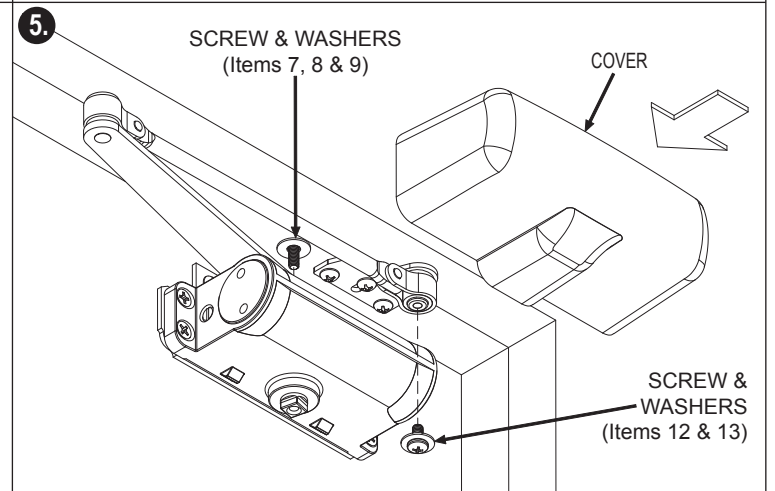
- 3. INSTALL DOOR PLATE AND BRACKET**
 a. Place back plate with "THIS SIDE TO DOOR" towards door and tighten securely with (3) screws. (Item 11)
 b. Place bracket on top jamb and tighten securely with (3) screws. (Item 11)



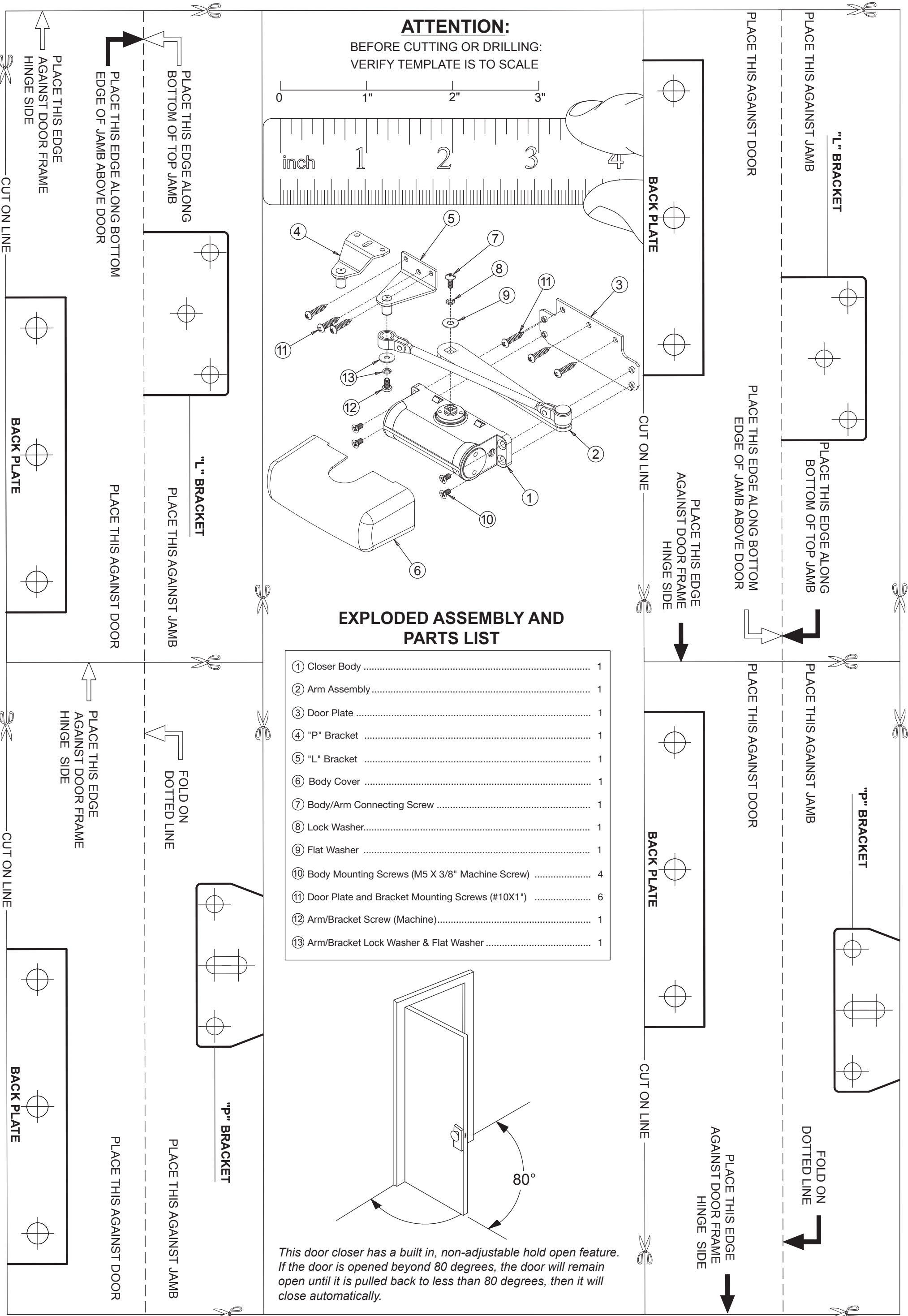
- 4. MOUNT CLOSER BODY**
 Mount closer body on door plate and securely tighten (4) machine screws. (Item 10) **Make sure the speed adjusting valve faces the latch side of the door.** **IMPORTANT: If closer body is mounted upside down the door will NOT open.**



- 5. INSTALL ARM ASSEMBLY**
 a. Attach square hole of arm to spindle of closer using Body/Arm Connecting Screw, Lock Washer and Flat Washer (Items 7, 8 & 9), and tighten securely.
 b. Rotate arm and attach to installed bracket using Arm/Bracket Screw and Washer/Lockwasher (Items 12 & 13) that were removed previously, and tighten securely.
 c. If a faster or slower closing speed is required, use a flat-head screwdriver to turn the speed adjusting valve until the desired speed is obtained. (**Clockwise** - Slower or **Counter Clockwise** - Faster)
 d. Snap cover over closer body.



EXPLODED ASSEMBLY AND PARTS LIST AND DRILL TEMPLATE



TEMPLATE FOR LEFT HAND DOOR - "L" BRACKET

TEMPLATE FOR LEFT HAND DOOR - "P" BRACKET

TEMPLATE FOR RIGHT HAND DOOR - "L" BRACKET

TEMPLATE FOR RIGHT HAND DOOR - "P" BRACKET