



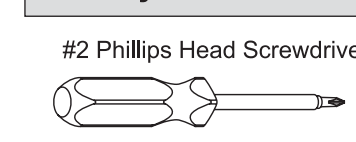
Installation and Programming Instructions for Keypad, Fingerprint and Touchpad Electronic Deadbolts

999-70027
The deadbolt can be installed in most standard doors with a thickness between 1-3/8" (35mm) and 1-3/4" (45mm).

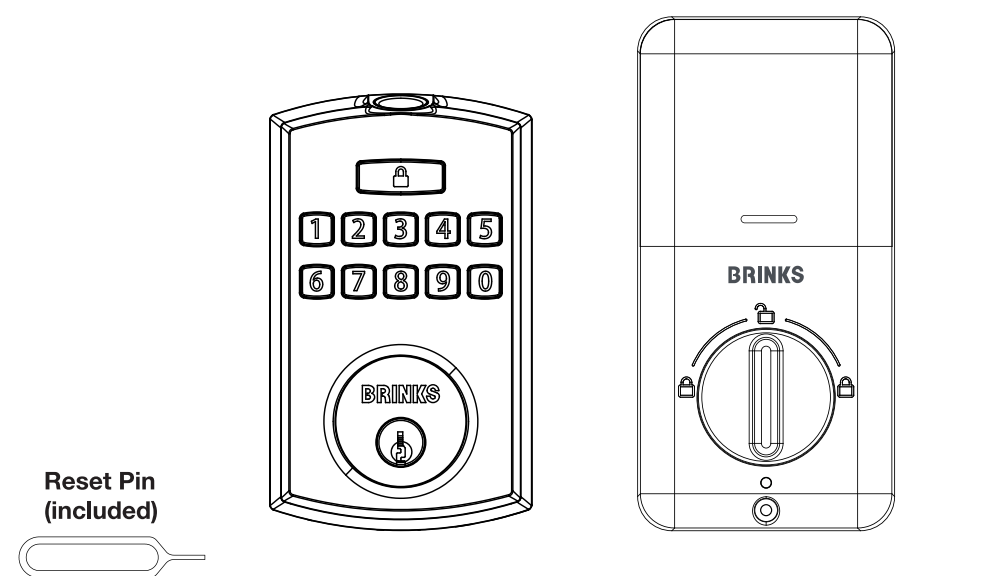
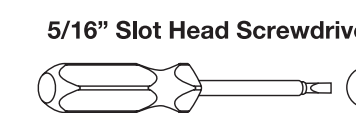
Questions? Call 1-800-562-5625 for help.

Fingerprint model, which includes a keypad, is shown below. Not all features are applicable to every model.

Tools you will need:



Tools you may need:



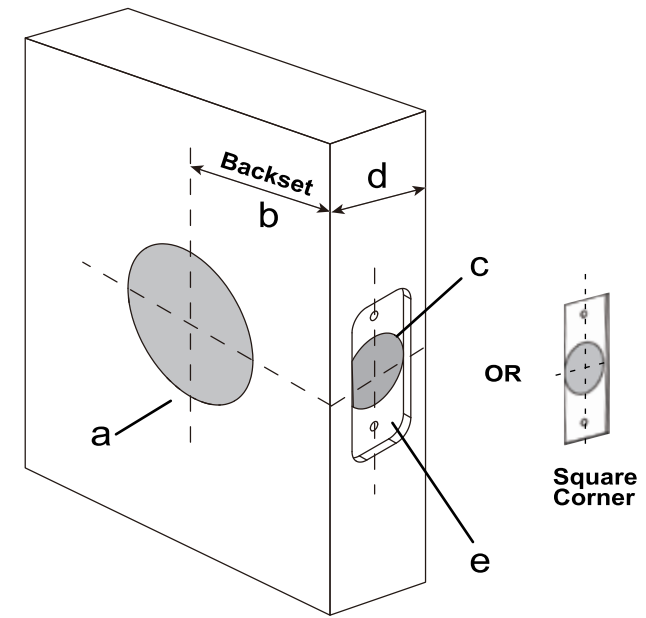
Parts List

Table listing parts for Exterior Assembly, Interior Assembly, Strike Plates, S2 Strike Screws, S4 Interior Assembly Screws, S3 Mounting Plate Screws, S1 Latch Screws, and Key.

For replacement installations, remove the existing deadbolt, latch and strike. Measure the existing holes and cutouts as shown. For new installations, call 1-800-562-5625 for additional help.

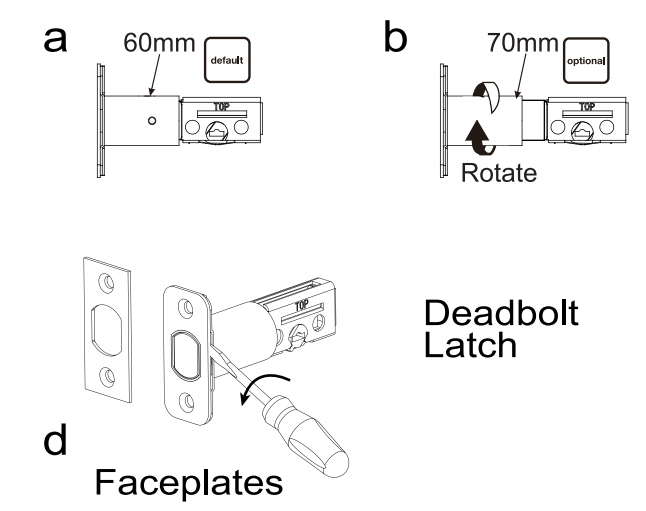
1. PREPARE DOOR AND CHECK DIMENSIONS

- a. Make sure that the main hole diameter in the door face is 2-1/8" (54mm).
b. The backset is the distance from the door edge to the center of the 2-1/8" main hole.
c. Make sure that the hole diameter in the door edge for the latch is 1" (25mm).
d. Make sure that the door thickness is between 1-3/8" (35mm) and 1-3/4" (45mm).
e. Make sure the door edge has a cutout large enough for the latch faceplate.



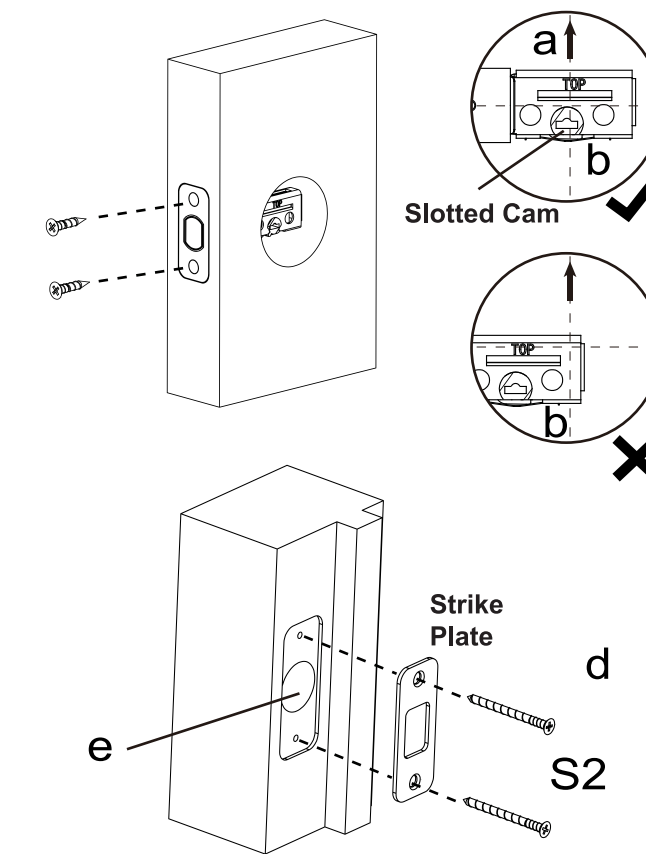
2. PREPARE THE DEADBOLT LATCH

- a. The Deadbolt Latch is already set for a 2-3/8" backset but can be adjusted to a 2-3/4" (70mm) backset if needed.
b. To adjust the 2-3/4" (70mm) backset, hold the tail of the latch and rotate the front of the latch 180 degrees.
c. If your door edge latch cutout has square corners, you have the option to change the faceplate to the square corner version.
d. To change the faceplate, use a 5/16" Slot Head screwdriver to remove the round corner faceplate. Place the square corner faceplate on the latch and secure with the S1 Latch Screws during installation.



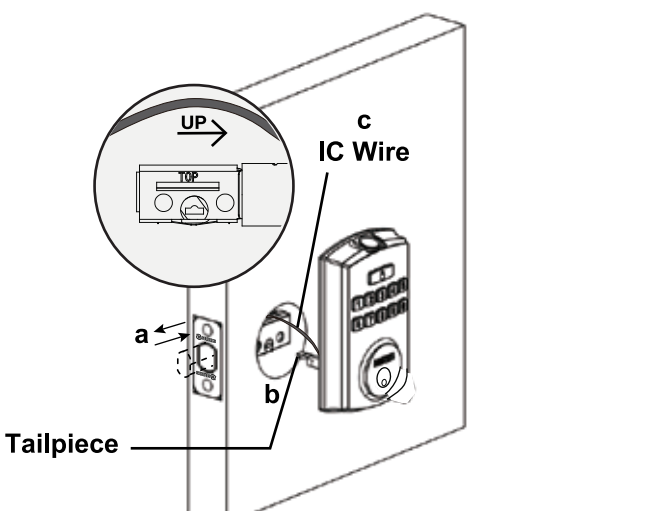
3. INSTALL THE LATCH AND STRIKE PLATE

- a. With the bolt retracted, insert the Deadbolt Latch into the 1" (25mm) hole in the door edge with the word "TOP" in the upper position and the slotted cam at the bottom.
b. Make sure the slotted cam is centered in the 2-1/8" (54mm) main hole.
c. Insert two (S1) Latch Screws in the faceplate holes and tighten using a #2 Phillips Head screwdriver.
d. Select the Strike Plate (round corner or square corner) that best matches the cutout on the door jamb.
e. Make sure that the hole in the jamb is at least 1-1/8" (29mm) deep to allow full bolt extension.



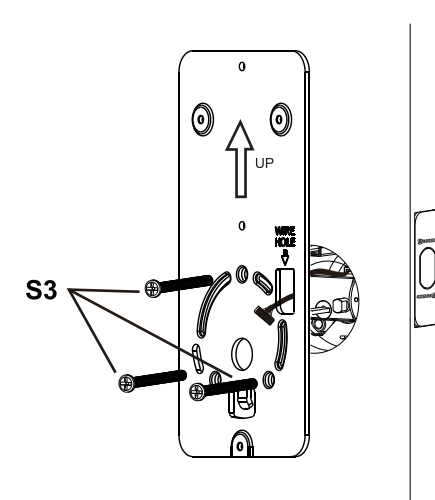
4. INSTALL THE EXTERIOR ASSEMBLY

- a. Make sure that the latch bolt is retracted (unlocked).
b. Orient the Tailpiece in a horizontal position.
c. Pass the IC Wire over the latch and insert the Tailpiece into the slotted cam of the latch.
d. Hold the Exterior Assembly against the door and make sure it is straight.
e. Insert the key and rotate to make sure the latch bolt extends and retracts smoothly.



5. INSTALL THE MOUNTING PLATE

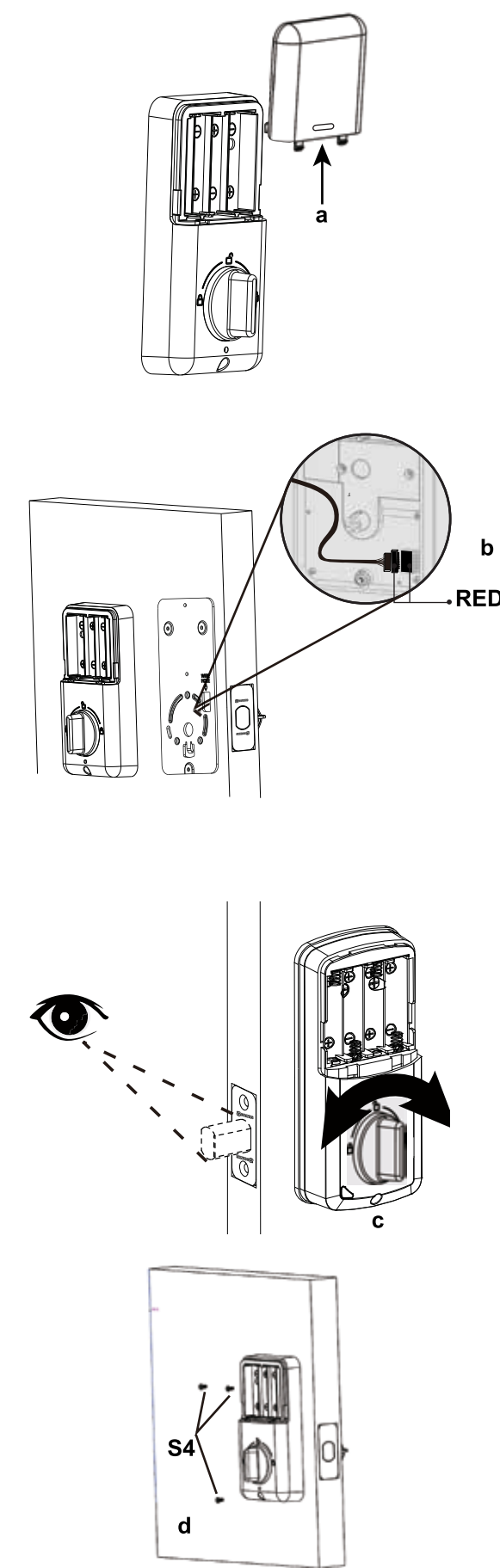
- a. Orient the Mounting Plate with the UP arrow facing up and side with the markings facing out.
b. Pass the IC Wire through the WIRE HOLE opening as shown.
c. Place the plate against the door and make sure it is straight.
d. Insert the upper S3 Mounting Plate Screw first and partially tighten with a #2 Phillips Head screwdriver.
e. Then insert the bottom two mounting plate screws.
f. Once again, insert the key in the Exterior Assembly and test to make sure the latch extends and retracts smoothly.



6. CONNECT THE IC WIRE

- a. Remove the battery cover from the Interior Assembly by pushing it up and pulling it out.

- b. Connect the IC Wire connector to the PCB connector by aligning them as shown and inserting firmly. The IC Wire connector is color coded red to indicate the correct side to face out.



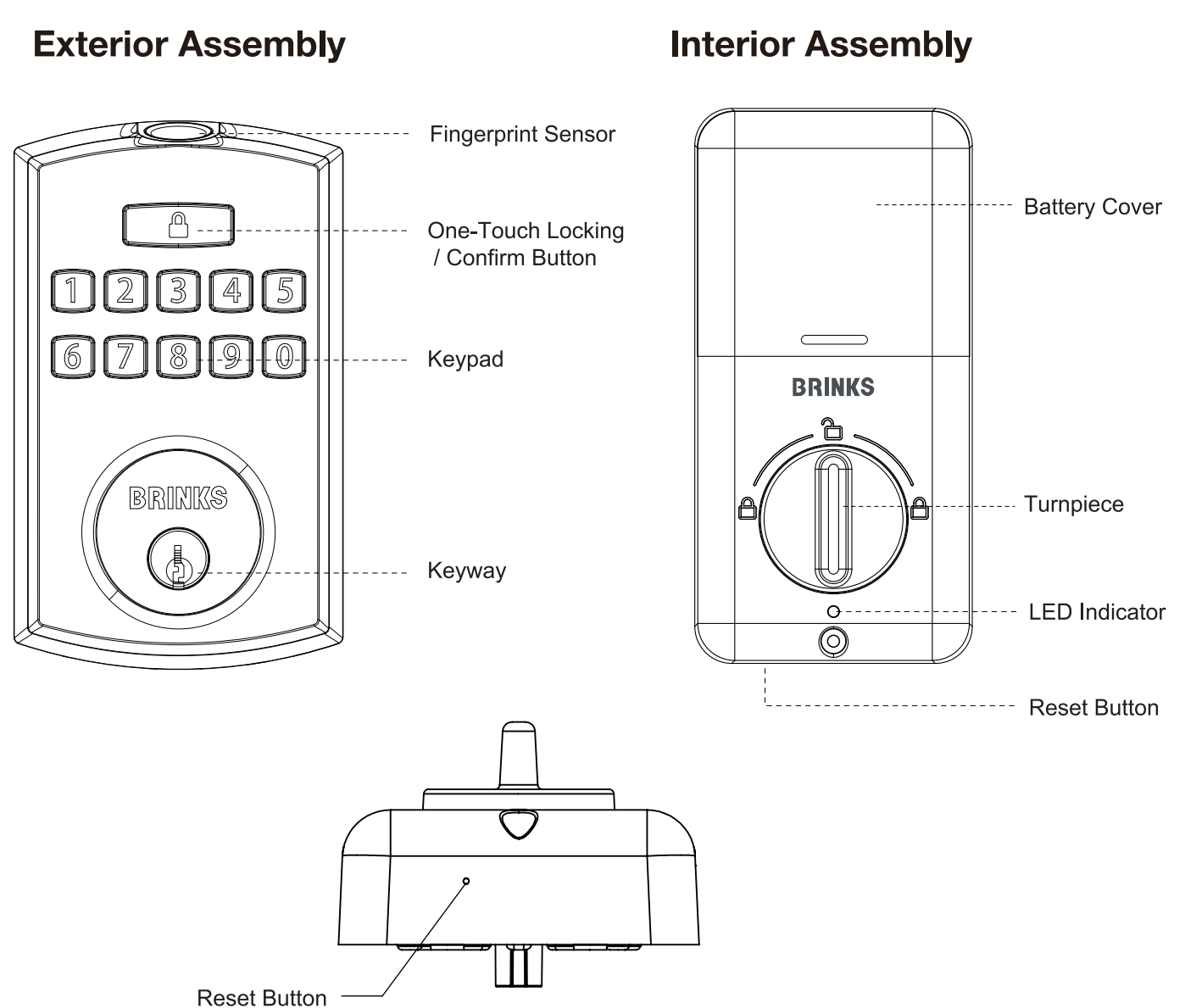
7. INSTALL THE INTERIOR ASSEMBLY

- a. Place the Interior Assembly against the Mounting Plate and door face, making sure not to pinch the IC Wire.
b. The Turnpiece should be oriented vertically.
c. Check deadbolt operation by rotating the Turnpiece towards the latch to extend the bolt.
d. After checking proper mechanical operation, attach the Interior Assembly to the Mounting Plate with three S4 Interior Assembly Screws using a #2 Phillips Head screwdriver.

8. INSERT THE BATTERIES

- a. Make sure that the latch bolt is retracted (unlocked).
b. Insert 4 new AA alkaline batteries according to the diagram in the battery compartment.
c. The bolt will extend and retract to learn the travel direction.
d. Replace the battery cover by sliding it down until closed.

LOCK OVERVIEW



Factory Default Settings

Table with 2 columns: Settings and Factory Default. Settings include Master Code, Auto Lock, Wrong Entry Limit, Keypad Lockout Time, Vacation Mode, and Silent Mode.

Factory Reset

- This procedure will delete all User Codes associated with the lock.
1. Keep the door open and unlocked.
2. Insert the Reset Tool into the hole in bottom of the unit and press the Reset Button for 5 seconds until your hear a long beep.

Programming Guide

Programming Basics section containing various code sequences for Master Code, User Codes, and One-Time Unlock Codes, along with visual feedback icons.

LIMITED LIFETIME MECHANICAL & FINISH WARRANTY AND 3-YEAR LIMITED ELECTRONICS WARRANTY. Subject to the terms and conditions of this warranty, Hampton Products Inc. ("Hampton") extends a limited lifetime mechanical and finish warranty and a limited three-year electronics warranty to the original residential user.

How to set up Fingerprint ID

- 1. Ensure that both the sensor and your finger are clean and dry.
2. Place your finger on the sensor and hold it steadily until you hear a beep.
3. Lift your finger and then place it back on the sensor, making small adjustments to its position each time.
4. The sensor will scan your fingerprint once and securely store the information locally.

FOR MODELS WITH FINGERPRINT SENSOR:

Tables showing sequences for adding and deleting fingerprints, and deleting all fingerprints.

Definitions

Master Code: Required for programming and lock settings. Master Code can be used to unlock the door while lock is in Vacation Mode.
Auto Lock: Auto Lock feature will automatically extend the deadbolt after it has been unlocked.
Wrong Entry: After 5 consecutive unsuccessful attempts to open the deadbolt, the deadbolt will emit three beeps.
Vacation Mode: Vacation Mode is designed to enhance security for when you are away for extended periods of time.
Silent Mode: The beep sounds when pressing keypad and all system alerts can be muted.

System Alerts

Table with 5 columns: Lock Activity, Confirm Button, Keypad, Interior LED, and Buzzer. Lists various lock states and their corresponding alerts.

Troubleshooting

The turnpiece cannot rotate or operate the lock. Remove and re-install the lock, making sure that the turnpiece is in vertical position and the latch bolt is retracted.
The keypad doesn't respond when touched (no lights are visible and no beeping is heard). Make sure the cables are properly connected, and make sure the batteries are new and installed correctly.

I forgot my Master Code. Perform a Factory Reset. Once the factory reset is completed, all User Codes will be erased and the Master Code will return to the default value of 123456.
I need to delete a User Code that I don't remember. Delete all User Codes. Then add all needed User Codes back into the lock.
User Code does not unlock/lock. User Code entered is not a valid User Code.
Cannot add a new User Code. User Codes must be entered within 15 seconds.

BRINKS A TRUSTED NAME IN SECURITY SINCE 1859 and all related logos are trademarks or registered trademarks of Brinks Network, Inc. and are used with permission.

WARNING: This product can expose you to chemicals including lead, which is known to the State of California to cause cancer and birth defects or other reproductive harm.

999-70027

Hampton Products International Corp. 500 East North Branch, California 95810