



2024
Universal Hardware Product Catalog

***The Pro's Choice For Quality Commercial
Door Hardware***

universalhardware.com/ 1-866-LOCK-PRO (1-866-562-5776)

About us

The Pro's Choice For Quality Commercial Door Hardware.

Universal Hardware is the pro's choice for high-quality mechanical door hardware. We have been an exclusive partner with Home Depot for more than a decade and offer a wide variety of door hardware products for any commercial setting. Our products are not only made from the strongest of materials, but have been tested to meet and exceed industry standards. Our products will meet code and compliance for anywhere in the country, making them the ideal choice for commercial applications.

Universal Hardware products are a great choice when security and strength are top of mind for high-traffic areas. Applications like schools, churches, hotels, hospitals, commercial buildings, and multifamily properties are where our products shine. We know that when it comes to your property and personal safety, you want a security solution that is right for you.

All Universal Hardware door locks and closers have completed extensive testing and meet or exceed ANSI Grade 1 or 2 standards. This includes:

- Cycle testing
- Door impact testing
- Latch bolt strength testing
- Torque testing

Furthermore many of our products meet ADA compliance, and UL 10C fire ratings up to 3 hours. Talk to an associate at the Home Depot PRO desk about hardware solutions for your next job.



PROGRAM OVERVIEW



**Keying Services &
Order Prep**



**Comprehensive
Commercial Hardware
Program**



Dedicated Service Reps

Custom Keying Services

We can work with your existing keyed system or develop a new one to meet your needs. Keying options range from:

- Keyed ALIKE
- Keyed DIFFERENT
- Master Keyed
- Construction Keyed
- Master Construction Keyed
- Maison Keyed
- Grand Master Keyed
- Great Grand Master Keyed



Need Help?

- Live chat from 7:00 am to 4:00 pm PST at [universalhardware.com](https://www.universalhardware.com)
 - By phone from 7:00 am to 4:00 pm PST at **866-LOCK-PRO**
- Product specifications and installation videos available at, [universalhardware.com](https://www.universalhardware.com)

Your one-stop-shop for all things multifamily

Levers/Knobs

Deadbolts

Exit Devices

Door Closers

and More!

Complement office or interior doors with these great accessories!

Great choice for closets, hallway doors, bedrooms or bathrooms!

Ball Bearing Door Hinges



Light Duty Passage Lever



Floor Mounted Door Stop



Floor Mounted Door Stop with Holder



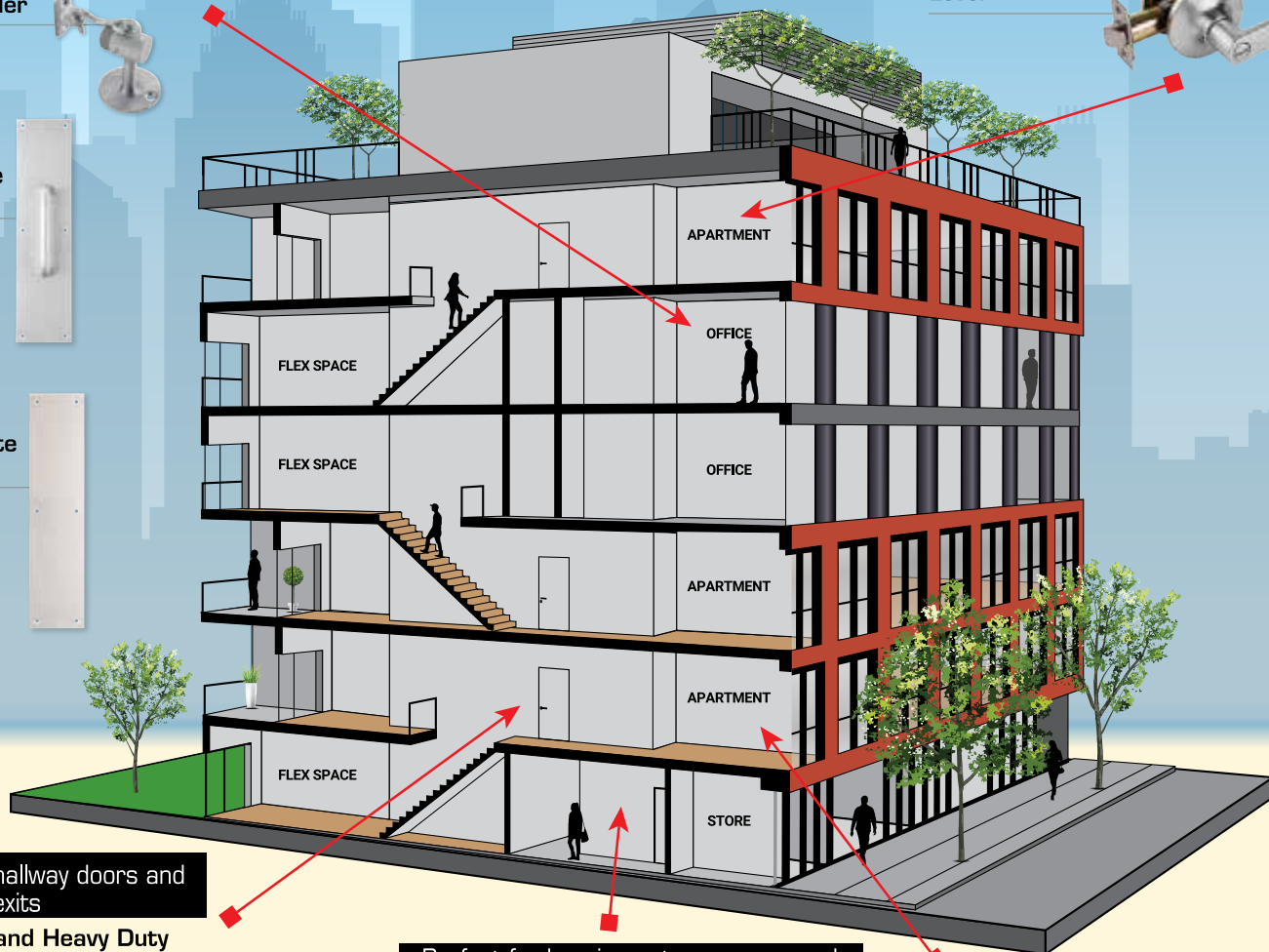
Light Duty Privacy Lever



Pull Plate 16"

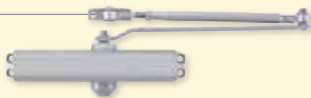


Push Plate 16"



Ideal for hallway doors and corridor exits

Medium and Heavy Duty Commercial Door Closers



Perfect for keeping entryways secured

Single Cylinder Deadbolt



Perfect solution for unit entry doors or utility closets

Single Cylinder Deadbolt



Exit/Panic Device



Heavy Duty Keyed Entry Lever



Light Duty Keyed Entry Lever



Pull Plate with Cylinder Hole



Heavy Duty Commercial Door Closer



Table of Contents

Closers (surface mounted)	5
Commercial Closers.....	6
Residential Closers.....	10
Locksets	12
Lever/Knob Functions	13
Levers	14
Knobs	19
Knob & Deadbolt Combo	20
Deadbolt	21
Exit Device (and accessories)	23
Exit Device (push bar)	24
Exit Device Trim (pull handle).....	25
Flat Goods & Accessories	26
Dome Floor Stop	27
Floor Stop with Holder	27
Kick Down Floor Stop	27
Hands Free Foot Door Opener.....	28
Commercial Grip With Arm Door Opener	28
Hands Free Arm Door Opener.....	28
Door Silencers.....	28
ASA Strike	29
Privacy Door Latch	29
4½" Ball Bearing Door Hinge.....	30
Spring Hinge	30
Pull Handle.....	31
Restroom Slide Latch	31
Restroom Indicator Latch	31
Restroom Door Hook	31
Pull/Push/Kick Plates	32
Pull Plates	33
Push Plates	33
Door Handles	34
"C" Style Pull Handle.....	35
"H" Style Pull Handle.....	35

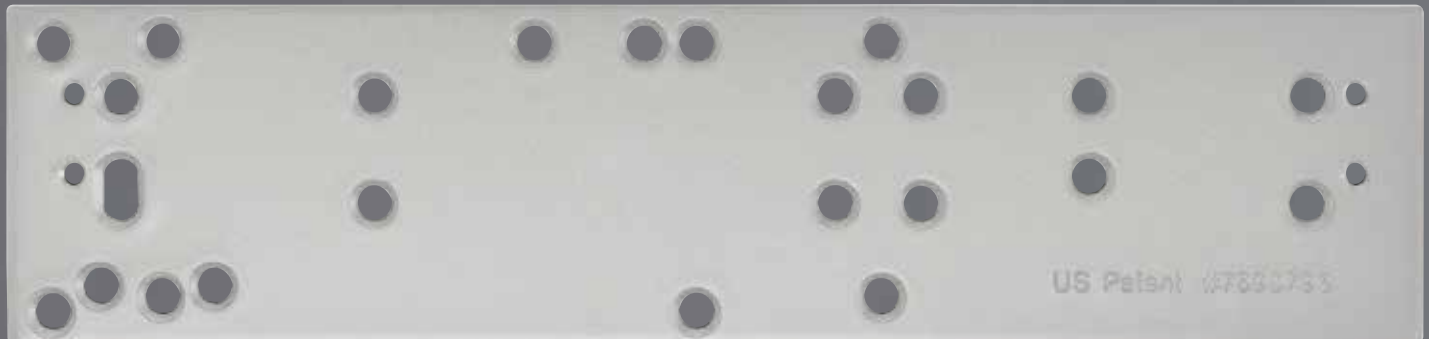


Closers (surface mounted)



(UH4061)

Patented Universal Mounting Plate Fits Most Retrofit Installations U.S. Pat. 7,698,796



Universal Hardware offers a closer for any commercial door, but our patented universal mounting plate is what sets us apart in closer installation. This mounting plate has holes that match the hole patterns of most closers in the market. Replace a broken closer without drilling new holes in an expensive or fire-rated door.



Scan and see why the All-In-One closer is the PRO's choice for retrofit applications.



	UH4061- Aluminum	UH4031- Aluminum	UH4051- Aluminum	UH4007- White	UH4009- White	
Description	All-In-One Heavy Duty Commercial Door Closer	Heavy Duty Commercial Door Closer	Medium Duty Commercial Door Closer	Heavy Duty Residential Door Closer	Light Duty Residential Hold Open Door Closer	
Case Pack Quantity	3	3	3	3	3	
Replacement or New Install	Replacement or New Installation	Replacement or New Installation	Replacement or New Installation	Replacement or New Installation	Replacement or New Installation	
Traffic Level	High Traffic	High Traffic	Medium Traffic	Medium Traffic	Low Traffic	
Mounting	Standard (Pull)	✓	✓	✓	N/A	
	Top Jamb (Push)	✓	✓	✓	N/A	
	Parallel Arm (Push)	✓	✓	N/A	✓	
Finish	Body Cover	Plastic	N/A	Plastic	Plastic	
	Hold Open Engagement	N/A	N/A	N/A	80°	
Specs	Universal Mounting Plate	✓	N/A	N/A	N/A	
	Body Material	Aluminum	Aluminum	Aluminum	Aluminum	
	Adjustability	Adjustable closing, latching and backcheck speeds	Adjustable closing, latching and backcheck speeds	Adjustable closing and latching speeds	Adjustable closing speed	Adjustable closing speed
	ADA Compliant	✓	✓	N/A	N/A	✓
	Warranty	10 Year Limited	10 Year Limited	10 Year Limited	5 Year Limited	5 Year Limited
	UL 10C	3-Hour Fire	3-Hour Fire	3-Hour Fire	3-Hour Fire	N/A
	ANSI Grade	Grade 1	Grade 1			
	Closer Size	Adjustable 1 through 6	Adjustable 1 through 5	3	3	1
	Opening Range	180°	180°	180°	155°	180°
	Exterior Door Size	Up to 48"	Up to 42"	Up to 30"	Up to 30"	N/A
Interior Door Size	Up to 60"	Up to 54"	Up to 38"	Up to 38"	Up to 30"	

Closer Mounting Options





All-In-One Heavy Duty Commercial Closer



**3 HOUR
FIRE
RATED**



FINISH	MFG SKU	HD SKU
Aluminum	UH4061	666436
Bronze	UH4062	1001849788
Matte Black	UH4063	1008626501

Specifications:

ANSI Grade 1

UL 3-Hour Fire Rated

Body: Aluminum (plastic cover)

Closer Size: Adjustable 1 through 6

Opening Range: 180°

Exterior Door Size: Up to 48"

Interior Door Size: Up to 60"

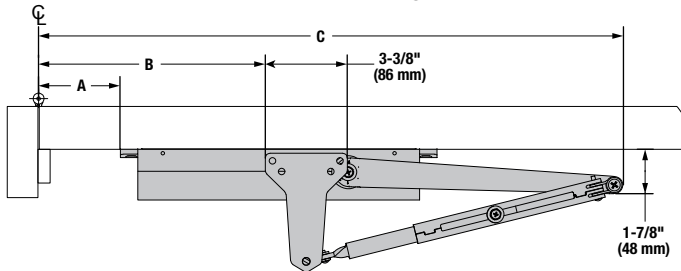


Aluminum

Bronze

Matte Black

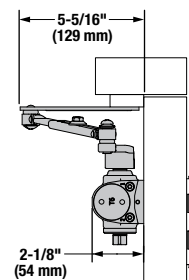
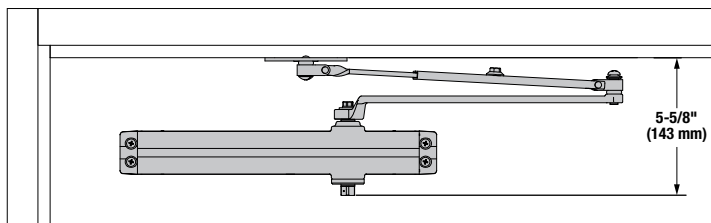
Parallel Arm (Push Side) Mounting



Universal Mounting Plate included



Opening Angle	A		B		C	
	in	mm	in	mm	in	mm
120°	3-5/16	84	9-3/16	233	23-3/4	603
180°	13/16	21	6-11/16	170	21-5/16	541





Heavy Duty Commercial Closer



**3 HOUR
FIRE
RATED**



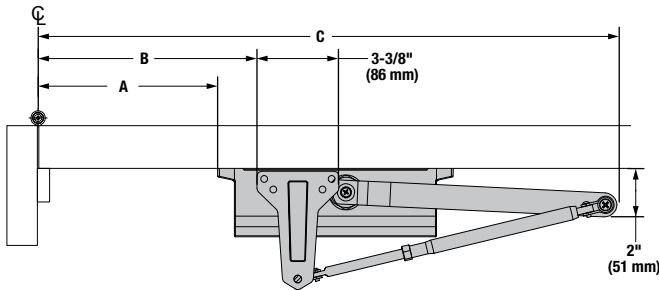
FINISH	MFG SKU	HD SKU
Aluminum	UH4031	666064
Bronze	UH4032	666097
Matte Black	UH4033	1008626498

Specifications:

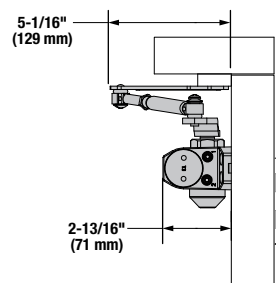
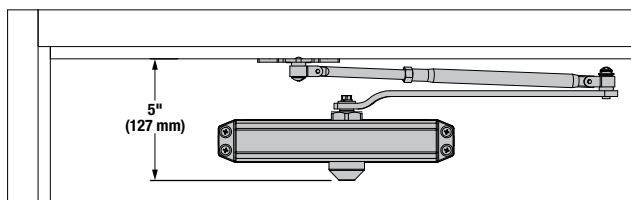
- ANSI Grade 1
- UL 3-Hour Fire Rated
- Body: Aluminum
- Closer Size: Adjustable 1 through 5
- Opening Range: 180°
- Exterior Door Size: Up to 42"
- Interior Door Size: Up to 54"



Parallel Arm Installation



Opening Angle	A		B		C	
	in	mm	in	mm	in	mm
100°	7-5/16	186	8-15/16	227	23-11/16	602
120°	5-7/8	149	7-1/2	190	22-3/16	564
180°	3-13/16	97	5-7/16	138	20-3/16	513





Medium Duty Commercial Closer



**3 HOUR
FIRE
RATED**



FINISH	MFG SKU	HD SKU
Aluminum	UH4051	666472
Bronze	UH4052	666498
Matte Black	UH4053	1008626563

Specifications:

UL 3-Hour Fire Rated
Body: Aluminum
Closer Size: 3
Opening Range: 180°
Exterior Door Size: Up to 30"
Interior Door Size: Up to 38"

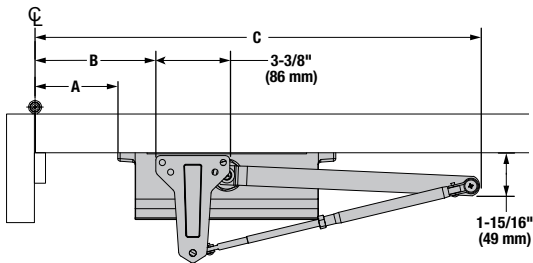


Aluminum

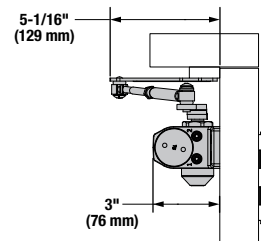
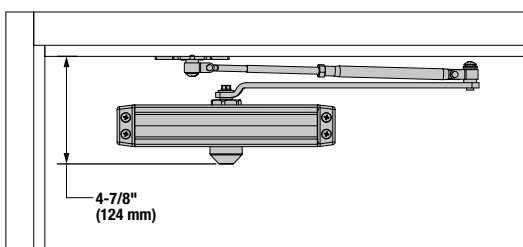
Bronze

Matte Black

Parallel Arm Installation



Opening Angle	A		B		C	
	in	mm	in	mm	in	mm
100°	7-1/4	184	8-15/16	227	23-9/16	559
130°	5-3/4	146	7-1/2	190	22-1/16	560
180°	3-3/4	95	5-7/16	138	20-1/16	510





Heavy Duty Residential Closer



3 HOUR
FIRE
RATED



FINISH	MFG SKU	HD SKU
White	UH4007	1006601943
Matte Black	UH4008	1006601944

Specifications:

UL 3-Hour Fire Rated

Body: Aluminum

Closer Size: 3

Opening Range: 155°

Exterior Door Size: Up to 30"

Interior Door Size: Up to 38"

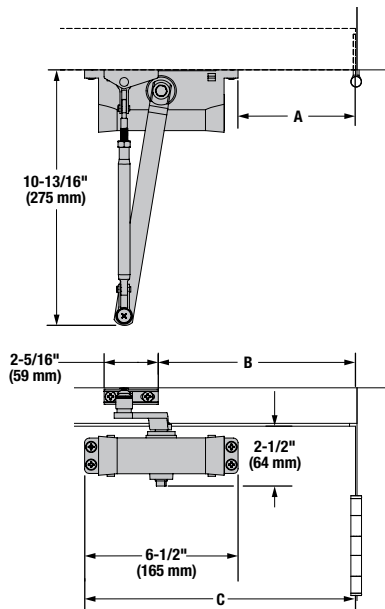


White

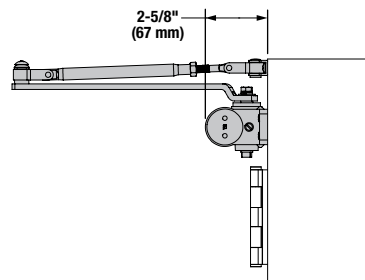


Matte Black

Standard (Pull Side) Mounting (Cover Not Shown)



Opening Angle	A		B		C	
	in	mm	in	mm	in	mm
120°	4-15/16	125	8-5/16	211	11-1/2	292
155°	2-3/16	56	5-9/16	141	8-3/4	222





Light Duty
Residential Closer



**HOLD
OPEN**



FINISH	MFG SKU	HD SKU
White	UH4009	1007012002
Matte Black	UH4010	1006908689



White



Matte Black

Specifications:

Body: Aluminum

Closer Size: 1

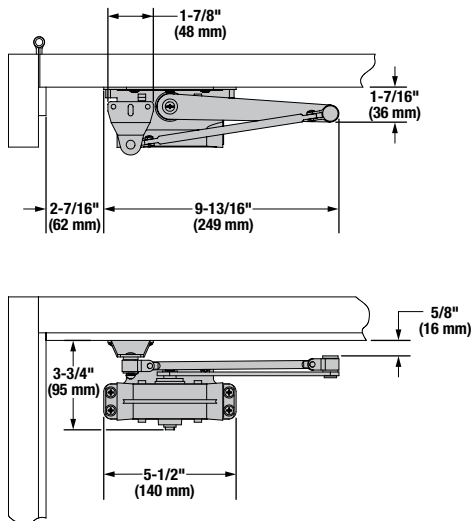
Opening Range: 180°

Hold Open Engagement: 80°

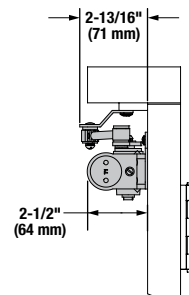
Exterior Door Size: N/A

Interior Door Size: Up to 30"

Parallel Arm (Push Side) Mounting (Cover Not Shown)



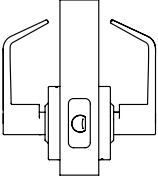
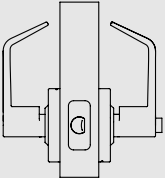
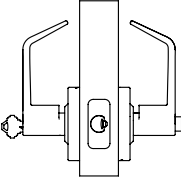
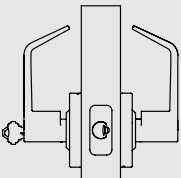
Opening Angle	A		B	
	in	mm	in	mm
120°	4-15/16	125	8-5/16	211
155°	2-3/16	56	5-9/16	141



Locksets



Lever/Knob Functions

Outside/Inside	Function	ANSI No	Function Description
	Passage	F75	The Passage lever has a latchbolt that is operated by the lever from either side at all times. It does not have a lock function.
	Privacy	F76	The Privacy lever has a latchbolt that is operated by the lever from either side, except when the outside lever is locked by the turn button inside. An emergency release on the outside unlocks the locking device. The turn button must be in the unlocked position for the outside or inside lever to operate.
		F76A (Panic release)	ANSI F76A (Panic release): The privacy lever has a latch bolt that's operated by the lever from either side, except when the outside lever is locked by the push button inside. An emergency release on the outside unlocks the locking device. Inside lever is always free for immediate egress.
		F76B (Non-Panic release)	ANSI F76B: Privacy Lock (non-panic release): Latchbolt operated by lever from either side except when outside lever is locked by turn button inside. Emergency release on outside unlocks locking device. Turn button shall be in unlocked position for outside or inside lever to operate latch bolt.
	Keyed Entry	F81	F81: Entry Lock Deadlocking latchbolt operated by lever from either side except when outside lever is locked by turn button inside. Operating key in outside lever locks or unlocks locking device. Turn button shall be in unlocked position for outside or inside lever to operate latch bolt.
		F82B	F82B: Entry Lock Deadlocking latchbolt operated by knob or lever from either side except when outside knob/lever is locked by turn button or push button inside. Operating key in outside knob/lever unlocks locking device. Operating inside knob/lever unlocks locking mechanism and operates latch bolt.
		F109	F109: Entry Lock (dual locking functionality) Deadlocking latchbolt operated by lever from either side except when outside lever is locked by turn button or push button inside. Operating key in outside lever or operating inside lever releases the push or turn button unlocking outside lever except when push or turn button has been both pushed and rotated to keep outside lever locked. When pushed and rotated, inside push or turn button must be manually operated to unlock outside lever. Inside lever is always free.
	Keyed Entry- Storeroom	F86	The Keyed Entry – Storeroom lever has a deadlocking latchbolt operated by a key in the outside lever or by rotating the inside lever. The outside lever is always locked. The Keyed Entry – Storeroom lever has a deadlocking latchbolt operated by a key in the outside lever or by rotating the inside lever. The outside lever is always locked.

Light Duty



**3 HOUR
FIRE
RATED**



FUNCTION	FINISH	MFG SKU	HD SKU
Passage	Satin Chrome	UH40047	1002273995
Passage	Matte Black	UH40101	1008143800
Privacy (F76B)	Satin Chrome	UH40048	1002274004
Privacy (F76B)	Matte Black	UH40100	1008143801
Keyed Entry (F81)	Satin Chrome	UH40049	1002274006
Keyed Entry (F81)	Matte Black	UH40098	1008143785
Storeroom (F86)	Satin Chrome	UH40050	1002273996
Storeroom (F86)	Matte Black	UH40099	1008143793

Specifications:

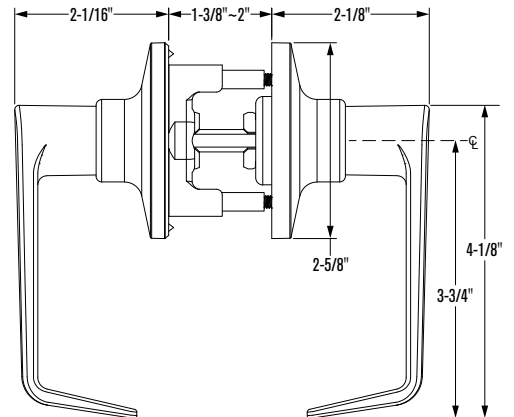
- ANSI Grade 2
- UL 3-Hour Fire Rated
- Adjustable backset: 2-3/8" and 2-3/4"
- Rosette Diameter: 2-5/8"
- Finishes: Satin Chrome, Matte Black
- Lever Handle Length: 3-3/4"
- Chassis: Tubular
- Door range: 1-3/8" to 2"
- Keyway: SC1, 5 pin
- Strikes: T-strike and full lip



Satin Chrome



Matte Black



Heavy Duty



**3 HOUR
FIRE
RATED**



Flat Lever

FUNCTION	FINISH	MFG SKU	HD SKU
Passage	Satin Chrome	UH40017	262611
Privacy (F76)	Satin Chrome	UH40018	262908
Keyed Entry (F82B)	Satin Chrome	UH40019	263634
Classroom	Satin Chrome	UH40045	1002273999
Storeroom (F86)	Satin Chrome	UH40046	1002274005



Specifications:

- ANSI Grade 2
- UL 3-Hour Fire Rated
- Fixed backset: 2-3/4"
- Rosette Diameter: 3-5/16"
- Finish: Satin Chrome
- Lever Handle Length: 4-5/8"
- Chassis: Cylindrical
- Door range: 1-3/8" to 2"
- Keyway: SC4, 6 pin
- Strikes: T-strike (1-1/8" x 2-3/4") and ASA Strike (1-1/4" x 4-7/8")

Curved Lever

FUNCTION	FINISH	MFG SKU	HD SKU
Keyed Entry (F82B)	Satin Chrome	UH40126	1008127200
Storeroom (F86)	Satin Chrome	UH40127	1008143791
Privacy (F76)	Satin Chrome	UH40128	1008127205
Passage	Satin Chrome	UH40129	1008127198



Industrial Duty



**3 HOUR
FIRE
RATED**



**FULL
LIFETIME
WARRANTY**

FUNCTION	FINISH	MFG SKU
Passage	Satin Chrome	UH40021
Privacy (F76)	Satin Chrome	UH40022
Keyed Entry (F82B)	Satin Chrome	UH40023
Storeroom (F86)	Satin Chrome	UH40025

Specifications:

- ANSI Grade 1
- UL 3-Hour Fire Rated
- Fixed backset: 2-3/4"
- Rosette Diameter: 3-3/8"
- Finish: Satin Chrome
- Lever Handle Length: 4-3/4"
- Chassis: Cylindrical
- Door range: 1-1/2" to 2"
- Keyway: SC4, 6 pin
- Strikes: T-strike (1-1/8" x 2-3/4") and ASA Strike (1-1/4" x 4-7/8")





Heavy Duty

Lever



**3 HOUR
FIRE
RATED**



Deadbolt



FUNCTION	FINISH	MFG SKU	HD SKU
Keyed Entry (F109)	Satin Chrome	UH40032	1001645241



Lever Specifications:

- ANSI Grade 2
- UL 3-Hour Fire Rated
- Fixed backset: 2-3/4"
- Rosette Diameter: 3-5/16"
- Finish: Satin Chrome
- Lever Handle Length: 4-5/8"
- Chassis: Cylindrical
- Door range: 1-3/8" to 2"
- Keyway: SC4, 6 pin
- Strikes: T-Strike (1-1/8" to 2-3/4") and ASA Strike (1-1/4" x 4-7/8")

Deadbolt Specifications:

- ANSI Grade 1
- UL 3-Hour Fire Rated
- Adjustable backset: 2-3/8" or 2-3/4"
- Rosette Diameter: 2-1/2"
- Finish: Satin Chrome
- Thumbturn Length: 2"
- Door range: 1-3/8" to 2"
- Keyway: SC4, 6 pin
- Strikes: Rectangular with Square corners (1-1/8" x 2-3/4")

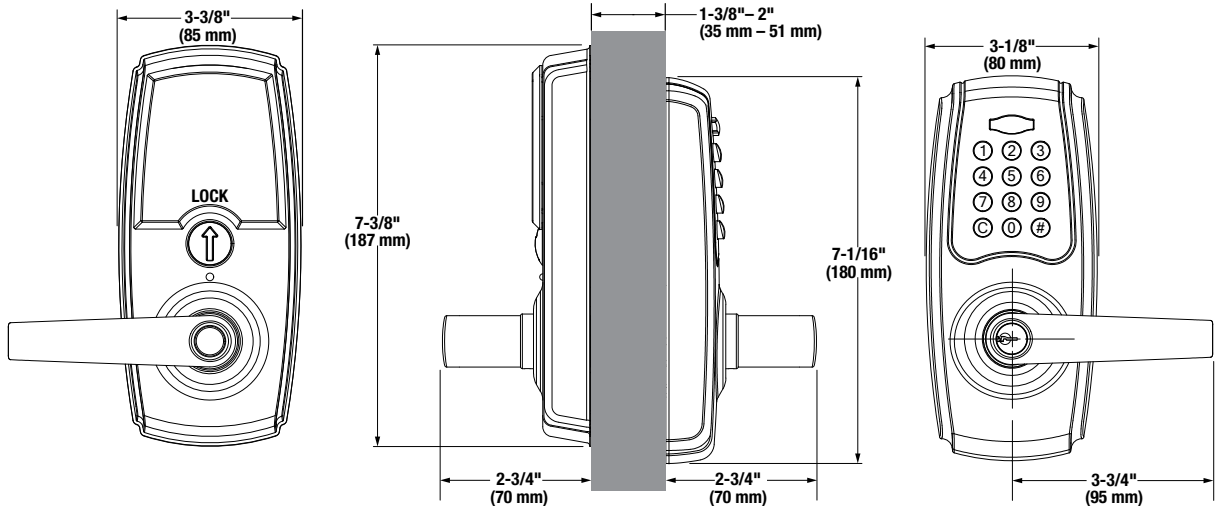


FUNCTION	FINISH	MFG SKU
Keyed Entry	Satin Chrome	UH40107



Specifications:

- ANSI Grade 2
- Adjustable backset: 2-3/8" and 2-3/4"
- Finish: Satin Chrome
- Lever Handle Length: 3-3/4"
- Door range: 1-3/8" to 2"
- Keyway: SC4, 6 pin
- Cylinder: Brass
- Strikes: Full lip



Light Duty



**3 HOUR
FIRE
RATED**



FUNCTION	FINISH	MFG SKU	HD SKU
Passage	Satin Chrome	UH40051	1002273998
Passage	Aged Bronze	UH40062	1005229467
Passage	Matte Black	UH40105	1008143782
Privacy (F76B)	Satin Chrome	UH40057	1002746877
Privacy (F76B)	Aged Bronze	UH40063	1005229462
Privacy (F76B)	Matte Black	UH40104	1008127197
Keyed Entry (F81)	Satin Chrome	UH40052	1002274007
Keyed Entry (F81)	Aged Bronze	UH40064	1005229472
Keyed Entry (F81)	Matte Black	UH40102	1008143788
Storeroom (F86)	Satin Chrome	UH40053	1002273991
Storeroom (F86)	Aged Bronze	UH40067	1005229470
Storeroom (F86)	Matte Black	UH40103	1008143787

Specifications:

- ANSI Grade 2
- UL 3-Hour Fire Rated
- Adjustable backset: 2-3/8" and 2-3/4"
- Rosette Diameter: 2-5/8"
- Finishes: Satin Chrome, Aged Bronze, Matte Black
- Chassis: Tubular
- Door range: 1-3/8" to 2"
- Keyway: SC1, 5 pin
- Strikes: T-strike and full lip



Satin Chrome



Matte Black



Aged Bronze

Light Duty



**3 HOUR
FIRE
RATED**



Knob



Deadbolt



FUNCTION	FINISH	MFG SKU	HD SKU
Keyed Entry & Deadbolt Combo (F76)	Satin Chrome	UH40054	1002273997
Keyed Entry & Deadbolt Combo (F76)	Matte Black	UH40106	1008143786
Keyed Entry & Deadbolt Combo (F76)	Aged Bronze	UH40065	1005229466

Specifications:

- ANSI Grade 2
- UL 3-Hour Fire Rated
- Adjustable backset: 2-3/8" and 2-3/4"
- Finishes: Satin Chrome, Aged Bronze, Matte Black
- Rosette Diameter: (Knob) 2-5/8"
- Knob Chassis: Tubular
- Knob Function: F76
- Door range: 1-3/8" to 2"
- Keyway: SC1, 5 pin
- Strikes: T-strike and full lip (included)



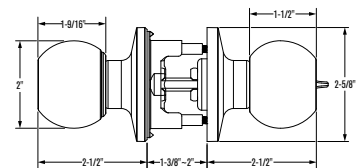
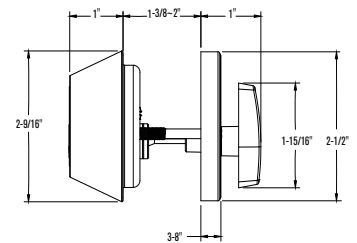
Satin Chrome



Matte Black



Aged Bronze



Industrial Duty



**3 HOUR
FIRE
RATED**



FUNCTION	FINISH	MFG SKU	HD SKU
Single Cylinder Deadbolt	Satin Chrome	UH40055	1002274000
Single Cylinder Deadbolt	Matte Black	UH40130	1008143783

Specifications:

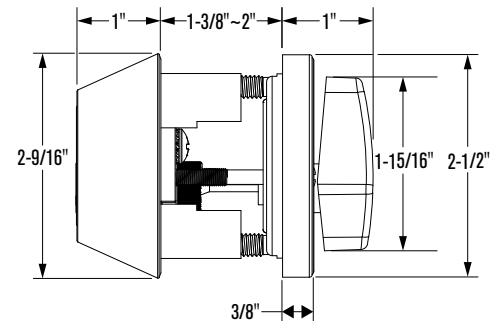
- Grade 1
- UL 3-Hour Fire Rated
- Adjustable backset: 2-3/8" and 2-3/4"
- Finishes: Satin Chrome, Matte Black
- Door range: 1-3/8" to 2"
- Keyway: SC4, 6 pin
- Cylinder: Brass
- Strikes: Strike and reinforcement

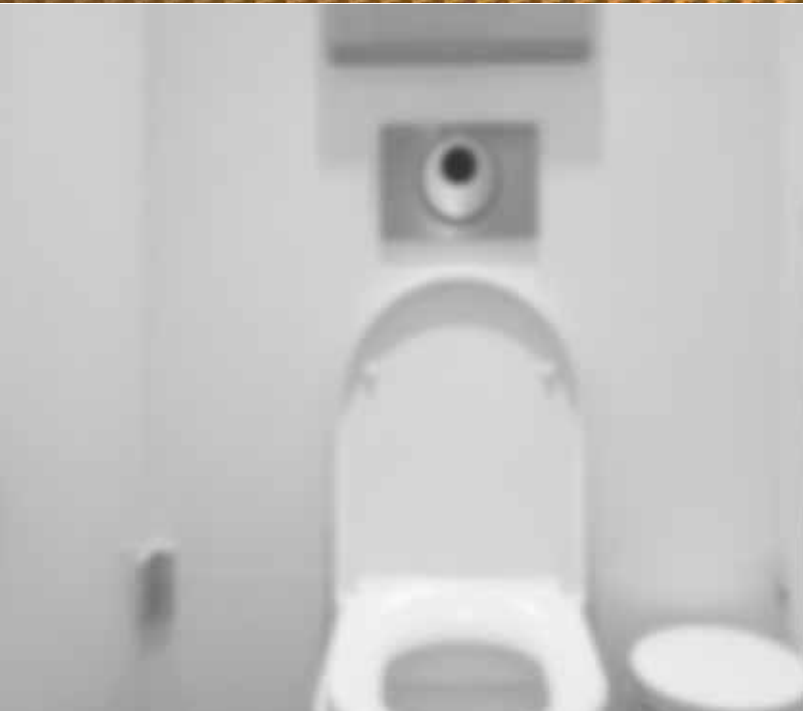
Single Cylinder Deadbolt



FUNCTION	FINISH	MFG SKU	HD SKU
Double Cylinder Deadbolt	Satin Chrome	UH40056	1002274002

Double Cylinder Deadbolt



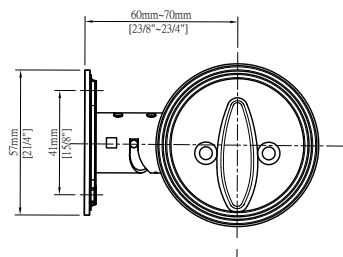
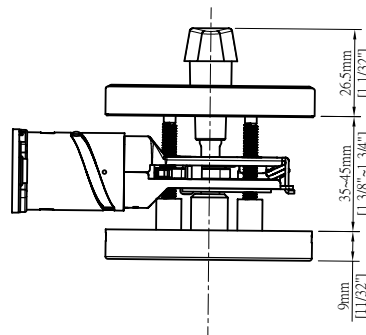
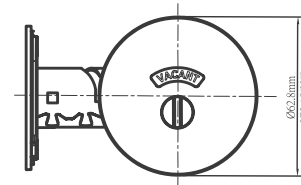


FINISH	MFG SKU	HD SKU
Satin Chrome	UH40131	1008127199

Specifications:

- ANSI Grade 2
- Adjustable backset: 2-3/8" and 2-3/4"
- Finish: Satin Chrome
- Door range: 1-3/8" to 2"
- Strikes: Square strike and reinforcement plate

Grade 2 Indicator Deadbolt



[02.127]

Exit Device (and accessories)

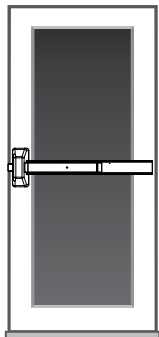




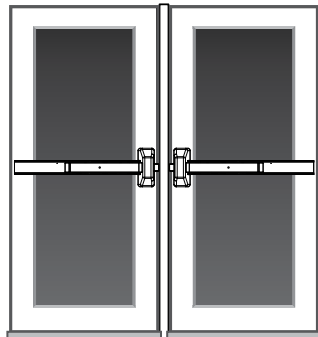
FINISH	MFG SKU	HD SKU
Aluminum	UH40010	310263
Matte Black	UH41015	1010212535



Applications



Single rim device



Two rim devices with mullion – same direction

Specifications:

ANSI Grade 1

Door width range: 28" to 42"*

* 36" – 42" door width range without modification

28" – 35" door width range with cutting of the rail frame 30" minimum door width for a double door + mullion installation

Head Cover Dimensions:

8-1/2" x 2-3/4" x 2-1/2"

Push bar projection:

2-1/2" (push bar neutral)

1-15/16" (push bar depressed)

Door thickness range: 1-3/4" – 2"

Latch bolt: Deadlocking with 5/8" projection

Dogging device: Yes, hex key included

ADA Compliant: Yes, with lever trim

Cylinder keyway: SC4

Strikes: Surface mounted strike with 1/8" strike shim

Finishes: Aluminum, Matte Black

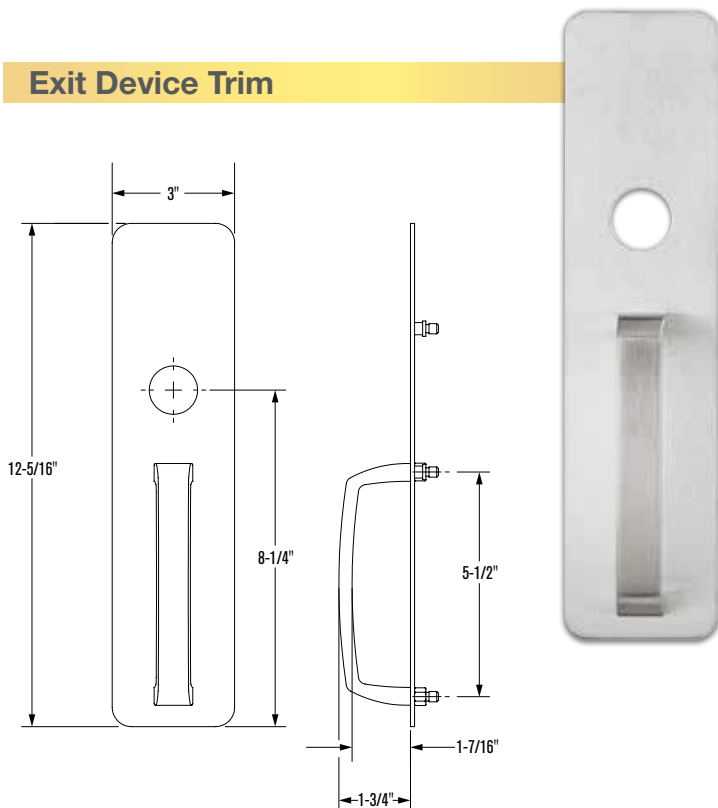
Included: Brass rim cylinder and steel pull



* Cylinder not included with pull handle. Cylinder included with UH40010

FUNCTION	FINISH	MFG SKU	HD SKU
Exit Device Trim	Satin Chrome	UH40011	310659

Exit Device Trim



Specifications:

Trim function: Pull Handle

Function description: Key retracts bolt (cylinder included with UH40010 or UH41015); Cylinder sleeve included for 161 door prep

Escutcheon plate size: 12-5/16" x 3"

Pull center to center: 5-1/2"

Projection: 1-3/4"

Finish: Satin Chrome

Handing: Reversible

Through-bolt design

Night latch function: Yes

Door thickness range: 1-3/4" to 2"

Flat Goods & Accessories



FUNCTION	FINISH	MFG SKU	HD SKU
Floor Mount Door Stop	Satin Chrome	UH40074	1003126920
Floor Mount Door Stop	Matte Black	UH41019	1010212415



Specifications:

Base Material: Solid cast brass
 Diameter: 1-3/4"
 Height without riser: 1-1/8"
 Height with riser: 1-1/2"
 Fasteners: (1) #12 x 1-1/2" Wood Screw, (1) 1/4"-20 x 1" Machine Screw
 Finishes: Satin Chrome, Matte Black
 Bumper: Rubber
 Mounting: Floor mounted

FUNCTION	FINISH	MFG SKU	HD SKU
Floor Mount Door Stop with Holder	Satin Chrome	UH40076	1003136371
Floor Mount Door Stop with Holder	Matte Black	UH40108	1010292711



Specifications:

Base Material: Solid cast brass
 Diameter: 2-1/2"
 Height: 3-1/2"
 Fasteners: (3) #12 x 1-1/2" Wood Screws, (1) 5/16"-18 Fully Threaded Rod
 Finishes: Satin Chrome, Matte Black
 Bumper: Rubber
 Mounting: Floor mounted

FUNCTION	FINISH	MFG SKU	HD SKU
Kick Down Floor Stop	Satin Chrome	UH41009	1010212436
Kick Down Floor Stop	Matte Black	UH41020	1010212422



Specifications:

Base Material: Solid cast brass
 Height: 4"
 Bumper Diameter: 1"
 Fasteners: (4) #8 x 1" Wood Screws
 Finishes: Satin Chrome, Matte Black
 Bumper: Rubber
 Mounting: Door mounted

FUNCTION	FINISH	MFG SKU	HD SKU
Hands Free Foot Door Opener	Stainless Steel	4120-630	1005701593



Specifications:

Material: Stainless Steel

Size: 5" x 1-1/4"

Finish: Stainless Steel

Fasteners: (3) #6 x 5/8" Wood Screws

FUNCTION	FINISH	MFG SKU	HD SKU
Commercial Grip with Arm Door Opener	Stainless Steel	4130-630	005701595



Specifications:

Material: Stainless Steel

Size: 4" x 16"

Finish: Stainless Steel

Fasteners: (6) #6 x 5/8" Wood Screws

FUNCTION	FINISH	MFG SKU	HD SKU
Hands Free Arm Door opener	Stainless Steel	4131-630	1005701597



Specifications:

Material: Stainless Steel

Size: 2" x 6"

Finish: Stainless Steel

Fasteners: (4) #6 x 5/8" Wood Screws

FUNCTION	MFG SKU	HD SKU
Door Silencers	UH41013	1010212430



Specifications:

Material: Rubber

Diameter: 1/2"

Height: 1/2"

Pack of 12

FUNCTION	FINISH	MFG SKU	HD SKU
ASA Strike	Satin Chrome	UH41012	1010212433
ASA Strike	Matte Black	UH41014	1010212429



Specifications:

Base Material: Stainless Steel

Height: 4-7/8"

Width: 1-7/8"

Fasteners: (2) #8 x 3/4" Combo
Screws

Finishes: Satin Chrome, Matte Black



FUNCTION	FINISH	MFG SKU	HD SKU
Privacy Door Latch	Satin Chrome	UH40092	1004647012
Privacy Door Latch	Bronze	UH40093	1004647018



Specifications:

Base Material: Zinc Alloy

Height: 2.75"

Fasteners: (3) # 12x 1-3/4" Wood
Screws

Finishes: Satin Chrome, Bronze

Mounting: Frame Mounted

FUNCTION	FINISH	MFG SKU	HD SKU
4 1/2" Ball Bearing Door Hinge	Prime Coated	UH41010	1010212539
4 1/2" Ball Bearing Door Hinge	Satin Chrome	UH41011	1010212538
4 1/2" Ball Bearing Door Hinge	Matte Black	UH41018	1010212540

Hinges meet the requirements of NFPA 80 Section 6.4.3.1 for use on fire rated doors up to 4 ft wide by 8 ft high and 1-3/4" thick.

Specifications:

Material: Steel (ANSI A8112)

Gauge of Metal: .134"

Dimensions: 4-1/2" x 4-1/2"

Finishes: Prime Coated (UH41010), Satin Chrome (UH41011), UH41018 (Matte Black)

Swaging: 1/16" Swage standard which provides 1/16" of clearance between leaves



FUNCTION	FINISH	MFG SKU	HD SKU
Spring Hinge	Satin Chrome	UH40079	1001537553



Specifications:

Material: Steel

Gauge: .140"

Dimensions: 4-1/2" x 4-1/2"

Finish: Satin Chrome

Tension-Adjustable

Swaging: 1/16"

FUNCTION	FINISH	MFG SKU	HD SKU
Spring Hinge Pack	Satin Chrome	UH40132	1010212425



Specifications:

Material: Steel

Gauge: .140"

Dimensions: 4-1/2" x 4-1/2"

Finish: Satin Chrome

Swaging: 1/16"

FUNCTION	FINISH	MFG SKU	HD SKU
Pull Handle	Aluminum	UH40069	1010212412



Specifications:

Material: 304 Aluminum
 Application: Wood, glass, fiberglass and metal doors
 Finish: Aluminum
 Hardware: (6) #8 x 1" sheet metal screws

FUNCTION	FINISH	MFG SKU
Restroom Slide Latch	Stainless Steel	UH40117



Specifications:

Material: SUS 304
 Application: Wood or metal doors
 Finish: Stainless Steel
 Bolt Extension: 1" (25mm)
 Hardware: (4) M5 x 3/4" sheet metal screws

FUNCTION	FINISH	MFG SKU	HD SKU
Restroom Indicator Latch	Satin Nickel	UH40118	1010212424



Specifications:

Material: SUS 201 (Plastic indicator)
 Application: Wood or metal doors
 Finish: Satin Nickel
 Bolt Extension: 3/4"
 Hardware: (6) #7 x 1" sheet metal screws, (2) 19/32" sheet metal screws

FUNCTION	FINISH	MFG SKU	HD SKU
Restroom Door Hook	Satin Stainless Steel	UH40119	1010212423



Specifications:

Material: SUS 304
 Application: Wood or metal doors
 Finish: Satin Stainless Steel
 Projection: 2"
 Hardware: (2) #7 3/4" sheet metal screws

Pull/Push/Kick Plates



FUNCTION	FINISH	MFG SKU	HD SKU
Pull Plate	Stainless Steel	UH41004	1010212428



Specifications:

Material: Stainless Steel

Size: 4" x 16"

Finish: Stainless Steel

Handle CTC: 6"

Fasteners: (6) #6 x 5/8" Wood Screws

FUNCTION	FINISH	MFG SKU	HD SKU
Pull Plate	Aluminum	UH41006	1010212434
Pull Plate	Matte Black	UH41021	1010212431



Specifications:

Material: Aluminum

Size: 3-1/2" x 15"

Finishes: Aluminum (UH41006),
Matte Black (UH41021)

Handle CTC: 5-1/8"

Fasteners: (6) #6 x 5/8" Wood Screws

FUNCTION	FINISH	MFG SKU	HD SKU
Push Plate	Stainless Steel	UH41005	1010212437
Push Plate	Aluminum	UH41007	1010212421
Push Plate	Matte Black	UH41022	1010212417



Specifications:

Material: Stainless Steel (UH41005);
Aluminum

Size: 3-1/2" x 15"

Finishes: Stainless Steel (UH41005),
Satin Aluminum (UH41007),
Matte Black (UH41022)

Fasteners: (6) #6 x 5/8" Wood Screws

FUNCTION	FINISH	MFG SKU	HD SKU
Push Plate	Stainless Steel	UH41003	1010212414
Push Plate	Matte Black	UH40135	1010292710



Specifications:

Material: Stainless Steel

Size: 8" x 16"

Finishes: Stainless Steel (UH41003),
Matte Black (UH40135)

Fasteners: (6) #6 x 5/8" Wood Screws

Door Handles

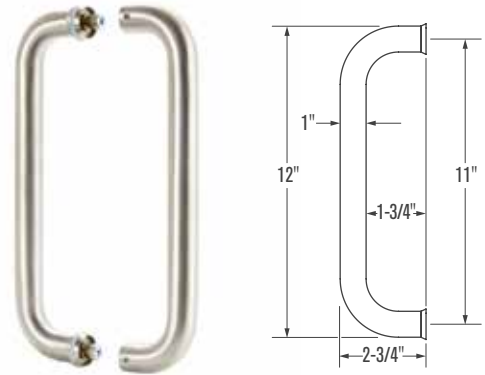


FUNCTION	FINISH	MFG SKU	HD SKU
Pull Handle	Stainless Steel	UH40094	1004647013
Pull Handle	Matte Black	UH40178	1010212537



Specifications:

Material: 304 Grade stainless steel
 Application: Wood, glass, fiberglass and metal doors
 Pull center to center: 11"
 Tube Diameter: 1"
 Projection: 2-3/4"
 Door thickness range: 5/16" to 1-7/8"



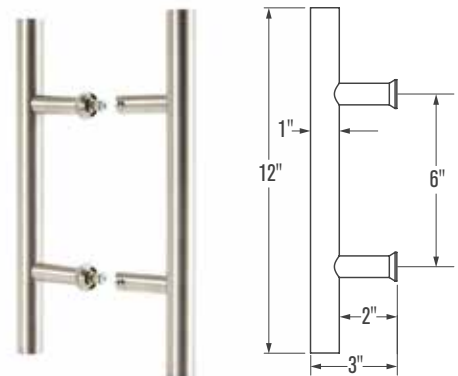
"C" Style Pull Handle

FUNCTION	FINISH	MFG SKU	HD SKU
Pull Handle	Stainless Steel	UH40095	1004647020
Pull Handle	Matte Black	UH40179	1010212534



Specifications:

Material: 304 Grade stainless steel
 Application: Wood, glass, fiberglass and metal doors
 Pull center to center: 6"
 Tube Diameter: 1"
 Projection: 3"
 Door thickness range: 5/16" to 2"



"H" Style Pull Handle



universalhardware.com
1-866-LOCK-PRO (1-866-562-5776)

